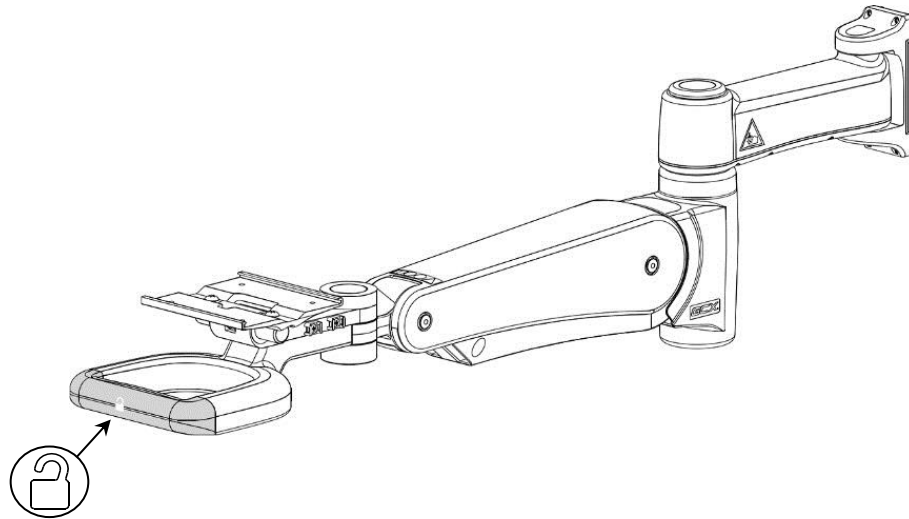
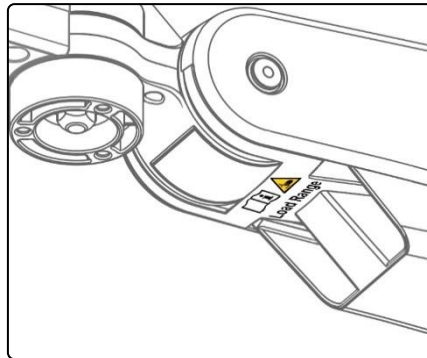
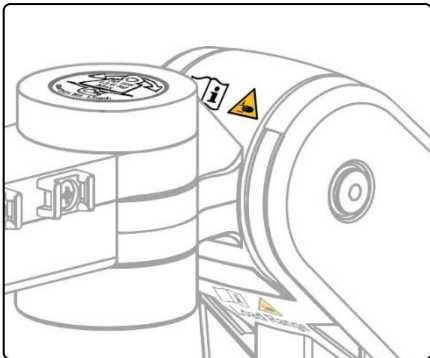


Operation Guide
VHM-PL (Locking) Variable Height Arm with 8"/20.3cm or 14"/35.6cm Extension
and Slide-In Mounting Plate



Safety Label Locations



Refer to Installation Guide for additional information.



Potential pinch point that may cause personal injury.



Maximum weight for mounting plate with tilt function.

Counter Balance Load Range:
11 - 30 lb / 5.0 - 13.6 kg
or
20 - 45 lb / 9.1 - 20.4 kg

