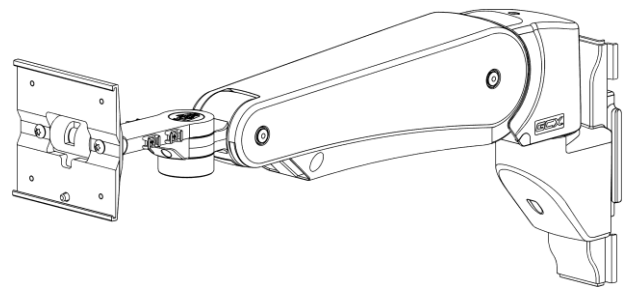
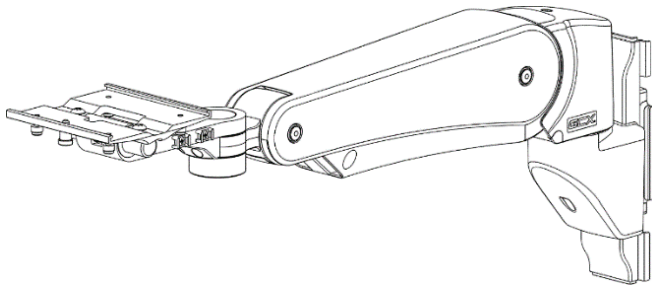
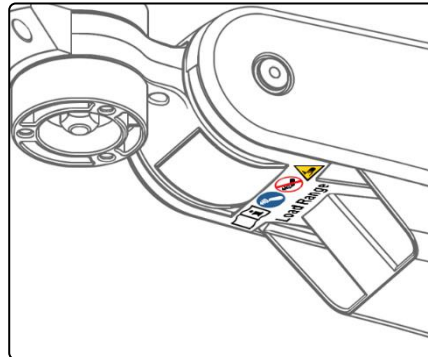
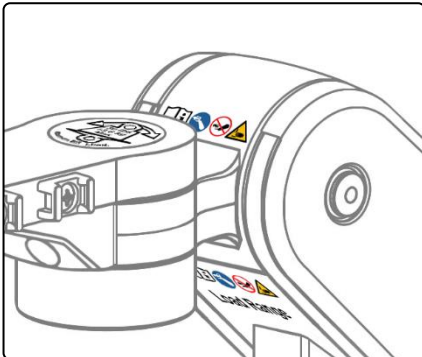


Operation Guide

VHM-P (Non-Locking) Variable Height Arm with Slide-In Mounting Plate



Safety Label Locations



Refer to Installation Guide for additional information.



Remove the device only when the arm is at the highest position.



Do not remove device when arm is in a lowered position.



Potential pinch point that may cause personal injury.



Maximum weight for mounting plate with tilt function.

Counter Balance Load Range:
25 - 45 lbs / 11.3 - 20.4 kg
or
15 - 30 lbs / 6.8 - 13.6 kg

