

## Installation Guide

### Cable Hook for VHM or M-Series Arm

The purpose of this guide is to describe installation of the Cable Hook.

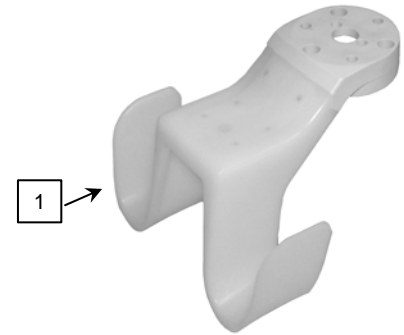


**CAUTION:** Do not hang equipment or accessories on the hooks. The Cable Hook is intended for cable-management use only and has a weight limit of 5 lbs [2.27 kg].

### Parts Reference

The following parts and hardware are provided for this procedure:

Item #	Description	Qty
1	Cable Hook	1
2	#10-32 x 3/4" Socket Head Cap Screw (SHCS)	3
3	#10-32 x 5/8" Pan Head Sheet Metal Screw (PHSMS)	2
4	#10 x 1-1/4" (PHSMS)	1
5	5/32" Hex Wrench	1

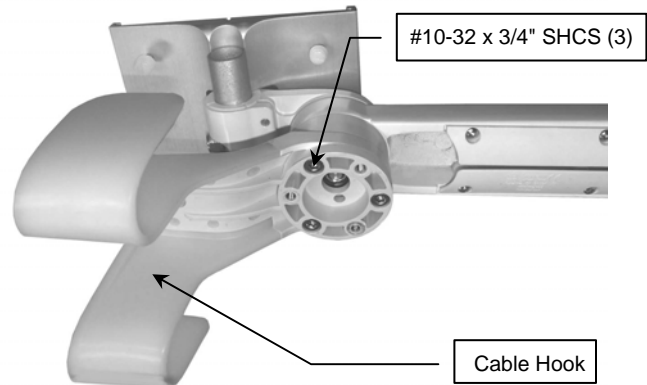
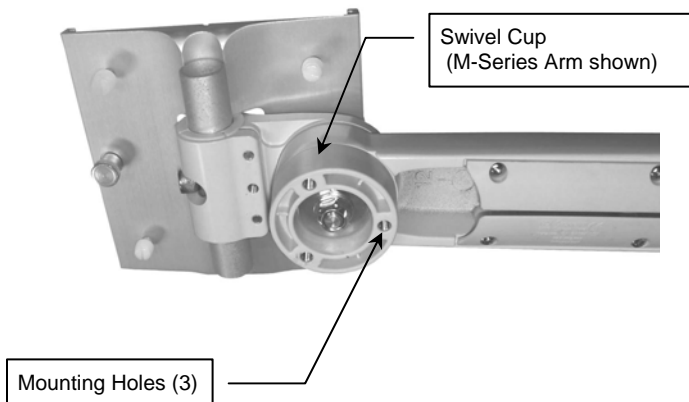


**Tools Required:** 5/32" hex wrench (provided), or Phillips screwdriver (not provided).

**Installation Note:** The Cable Hook may be attached directly to the bottom of an M-Series or VHM Arm, sandwiched between the Arm and a Down Post, or attached to the bottom of a Down Post.

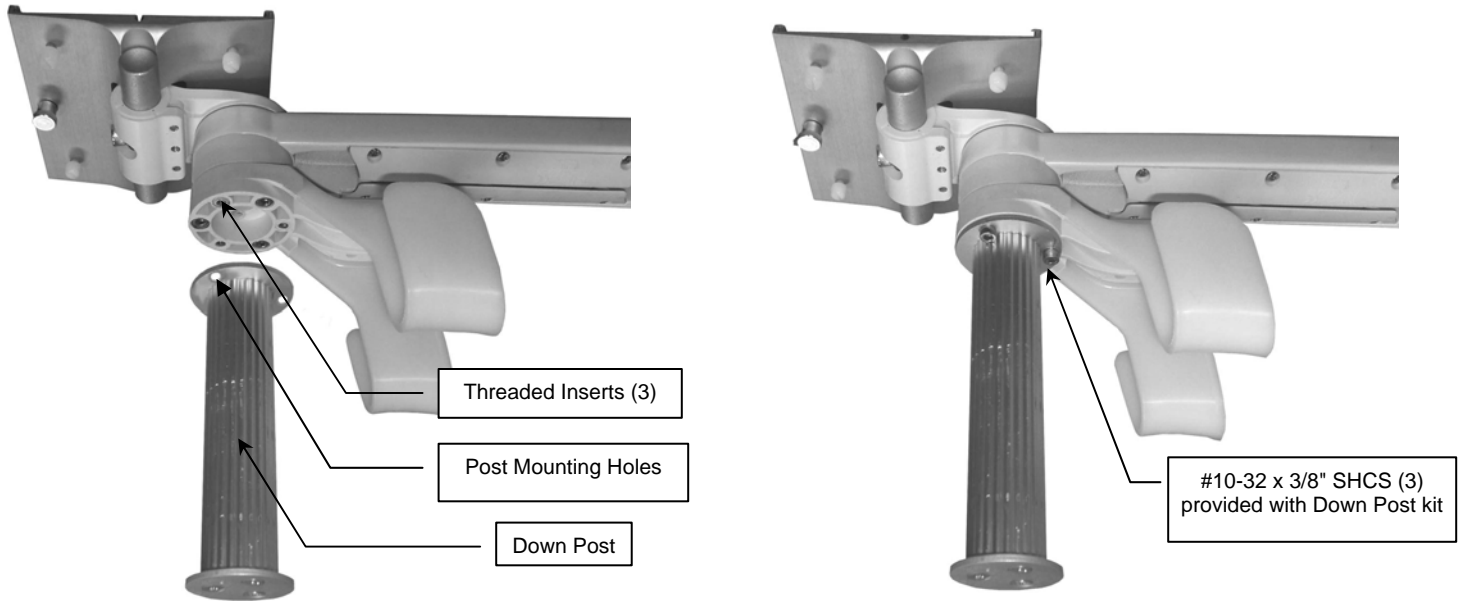
### Attaching Cable Hook to an Arm (M-Series or VHM)

1. Align three (3) mounting holes in Cable Hook with corresponding mounting holes in Swivel Cup on bottom of arm. Using the 5/32" [4 mm] hex wrench, fasten Hook to swivel cup with three (3) 10-32 x 3/4" SHCS.



### Attaching Down Post to Cable Hook

1. Align the three (3) mounting holes on the Post with the three (3) threaded inserts on the Cable Hook.. Using the 5/32" hex wrench provided, fasten Down Post to Cable Hook with three (3) #10-32 x 3/8" SHCS provided with the Down Post kit.



### Attaching Cable Hook to Bottom of Down Post

1. Using a Phillips screwdriver, remove Lower Post Disc from bottom end of Down Post as shown below left.
2. Align the offset 3-hole mounting pattern in Cable Hook with mounting holes in bottom of Down Post. Fasten Cable Hook to Post with two (2) #10 x 5/8" PHSMS in the inner holes and one (1) #10 x 1-1/4 PHSMS in the outer hole as shown below right.

