

## GCX Mounting Assembly Installation Guide

### Pole Mount for Welch Allyn Vital Signs Monitor 300 Series



**CAUTION: IT SHALL BE THE RESPONSIBILITY OF THE USER TO ENSURE THAT THE POLE BEING MOUNTED TO IS STRUCTURALLY SOUND ENOUGH TO SUPPORT THE WEIGHT OF THE MONITOR AND MOUNTING ASSEMBLY.**

*The purpose of this guide is to describe mounting of monitor on the Pole Mount.*



### Parts Reference

The parts list below includes parts and hardware that will be used in this installation procedure (see photos for parts; hardware not shown).

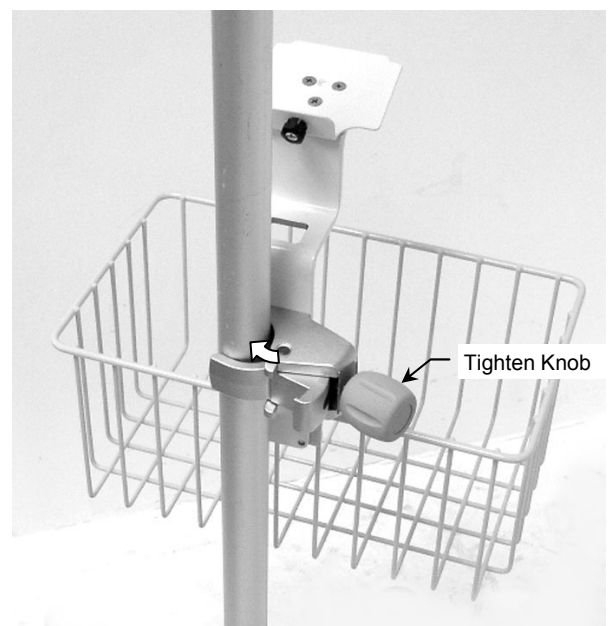
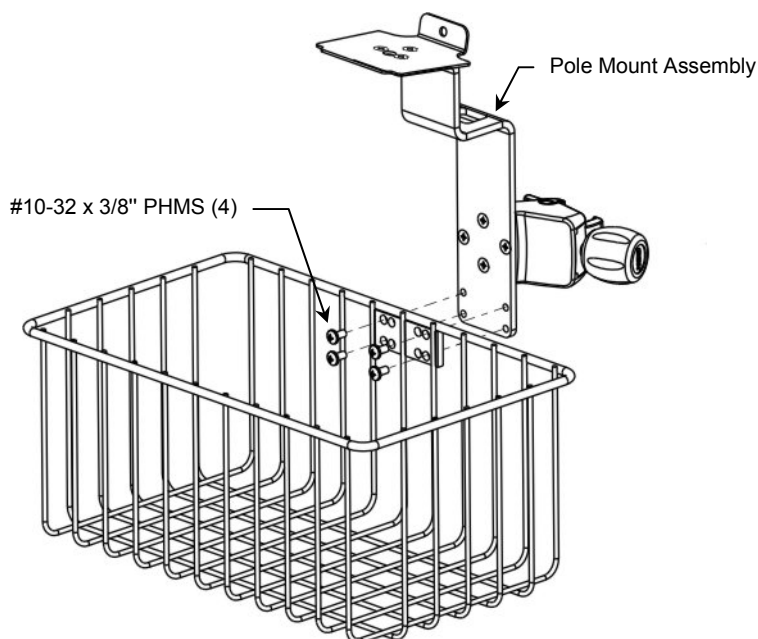
Item #	Description	Qty
1	Pole Mount Assembly	1
2	Utility Basket	1
3	#10-32 x 3/8" Pan Head Machine Screw (PHMS)	4
4	Hook-and-Loop Strap, 12"	1



**Tools Required:** Phillips screwdriver.

### Installation Procedure

1. Fasten Basket to front bottom of Pole Mount assembly with four (4) #10-32 x 3/8" PHMS (below left).
2. Slide Pole Clamp around pole and tighten Clamping Knob at desired mounting position (below right).  
**Installation Note:** The Pole Clamp may be mounted on poles from 3/4" to 1-1/2" diameter. It may be necessary to loosen the Clamping Knob before mounting on pole.



3. Slide monitor onto Mounting Adapter, ensuring that tab at front of Adapter is inserted in slot on bottom of monitor. Thread Thumbscrew (rear of Mounting Adapter) into threaded hole in rear of monitor and tighten.



4. Mount power supply on Pole Mount Assembly with Hook-and-Loop Strap (below left). **CAUTION:** Do not cover power supply vent holes with Strap when mounting small power supply (below right).

