

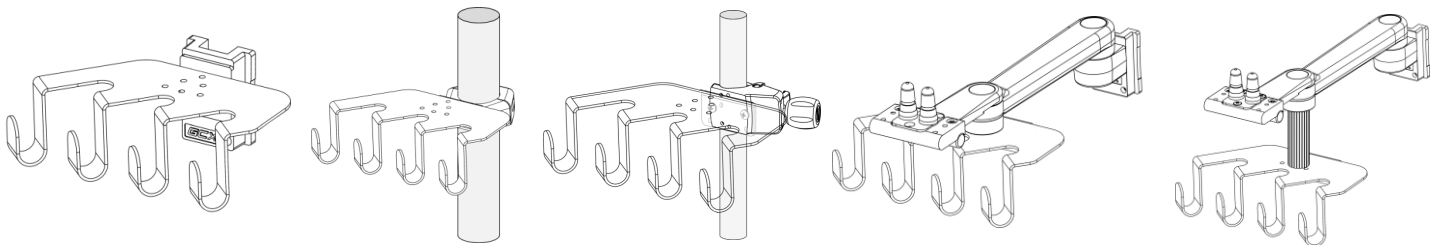
## Installation Guide

### Accessory Utility Hook Kit

For GCX Channel, 2" Roll Stand Post, Down Post, Post Rail Clamp, M-Series/VHM Series Arms, and GCX Down Post

The purpose of this guide is to:

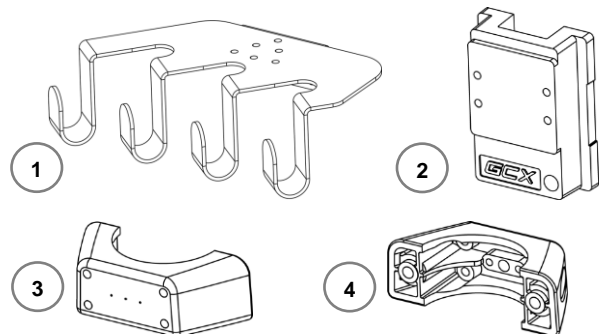
1. Describe Utility Hook assembly and installation for GCX Channel Applications (page 2).
2. Describe Utility Hook assembly and installation for Roll Stand Post Applications (2" diameter) (page 2).
3. Describe Utility Hook for Post/Rail Clamp Applications (page 3).
4. Describe Utility Hook installation for M-Series and VHM Series Arms (page 3).
5. Describe Utility Hook installation for GCX Down Post (page 3).
6. Describe Routine Maintenance (page 4).



### Parts Reference:

The following parts and hardware are included with this kit (hardware not shown):

Item #	Description	Qty
1	Utility Hooks	1
2	Channel Slide	1
3	Clamping Block (front)	1
4	Clamping Block (Back)	1
5	10-32 x 5/8 Pan Head Sheet Metal Screw (PHSMS)	4
6	10-32 x 7/16 Pan Head Machine Screw (PHMS)	3
7	10-32 x 9/16 PHMS	2
8	1/8" Hex Wrench	1

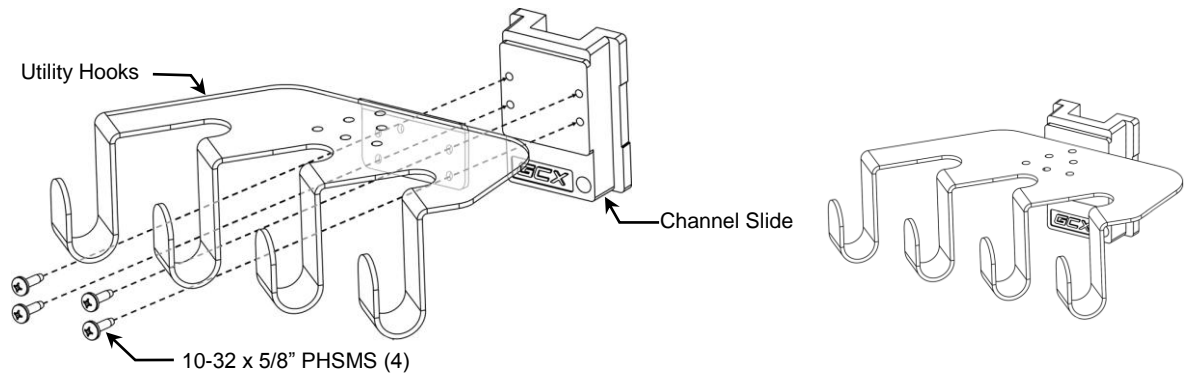


### Tools Required:

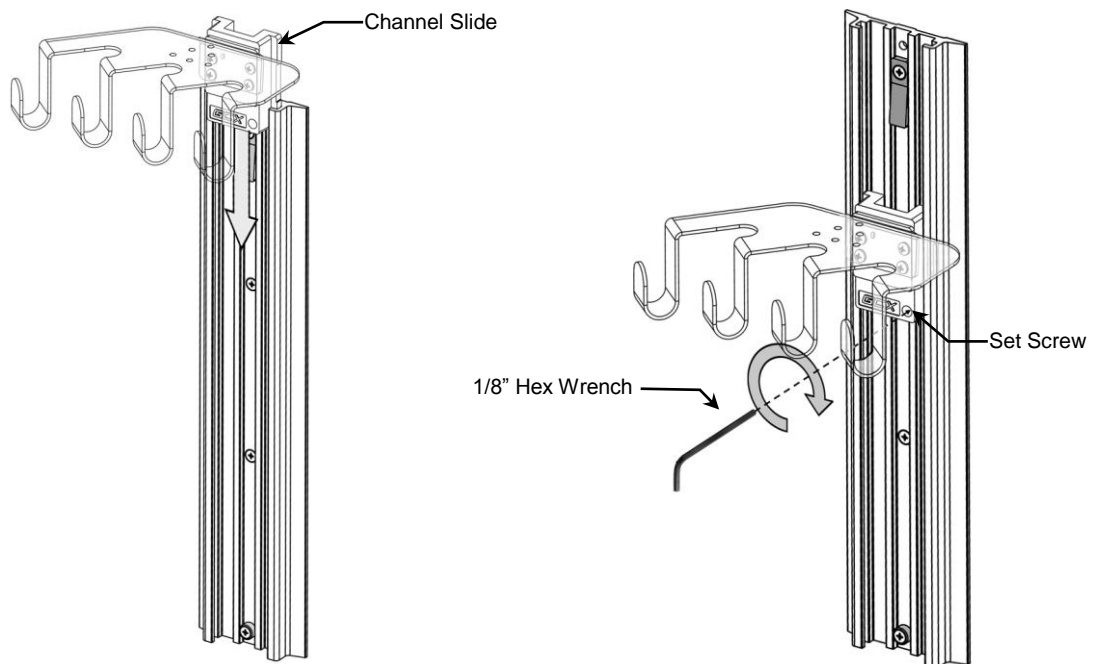
- 1/8 Hex Wrench (provided)
- Phillips screwdriver (not provided).

## GCX Channel Application

1. Using a Phillips screwdriver, attach Utility Hooks to Channel Slide with (4) 10-32 x 5/8" PHSMS as shown below .

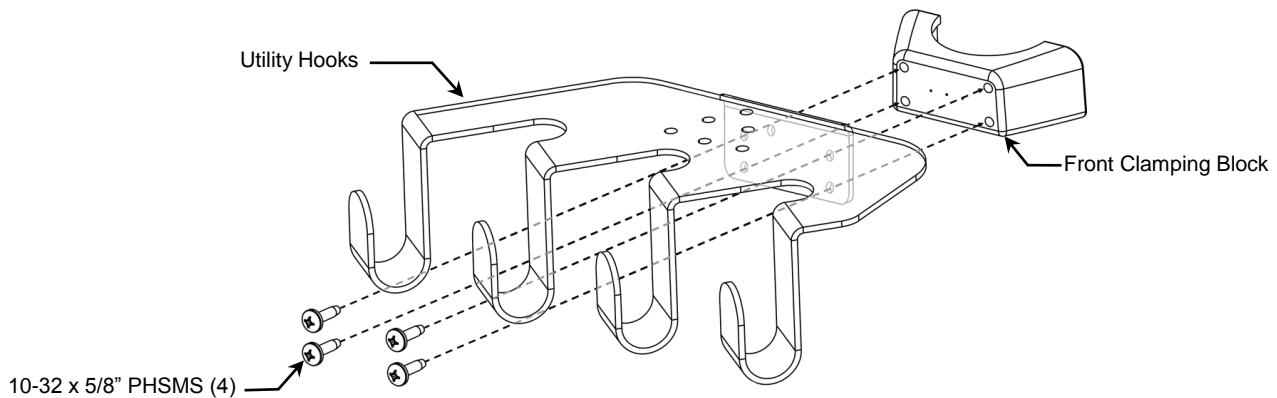


2. Lower Channel Slide into top of Channel and guide to desired mounting height. Using a 1/8" hex wrench, tighten set screw to secure position in channel (below right).

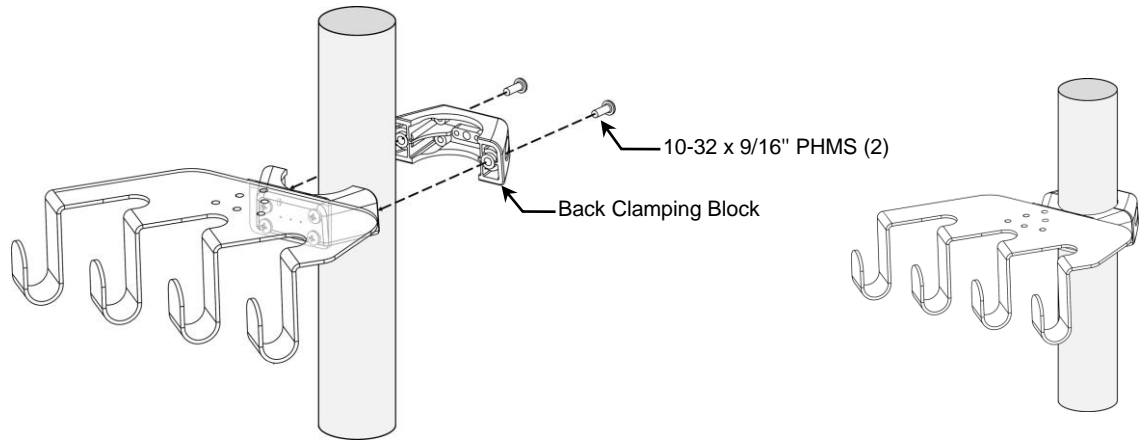


## Roll Stand Post Application (2" Diameter)

1. Using a Phillips screwdriver, attach Utility Hooks to Front Clamping Block with (4) 10-32 x 5/8" PHSMS .

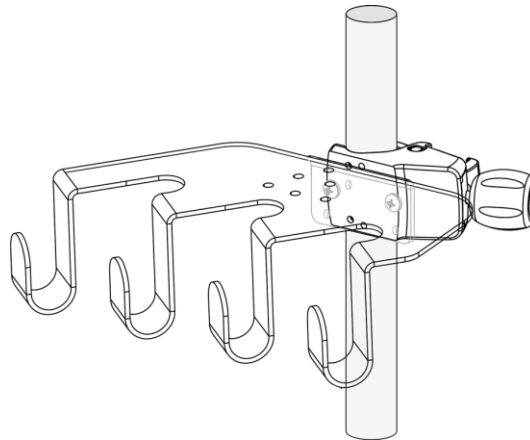


2. Using a Phillips screwdriver, secure the Back Clamping Block to Utility Hooks with (2) 10-32 x 9/16" PHMS. Alternately tighten screws until Utility Hooks do not rotate on post.



**Post/Rail Clamp (.75" [19 mm] to 1.5" [38 mm] Diameter) or Rail (10 mm x 25 mm)**

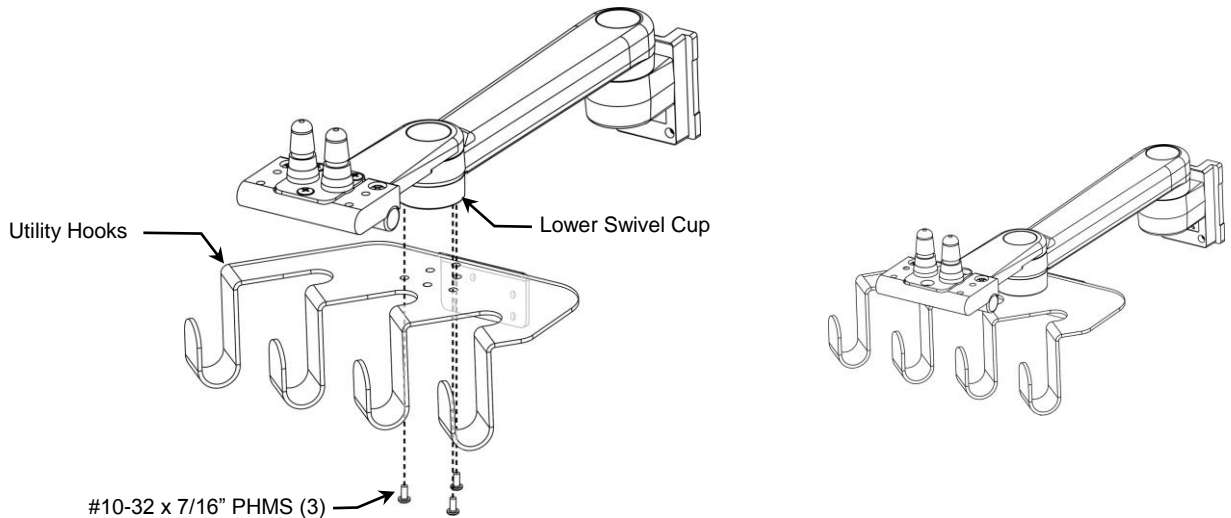
**Installation Note:** This Application requires GCX Post/Rail Clamp (PRC-0001-01) sold separately. Attach Utility Hooks in accordance with Installation Guide DU-PRC-0001-01 supplied with Post/Rail Clamp.



**M-Series and VHM Series Arms**

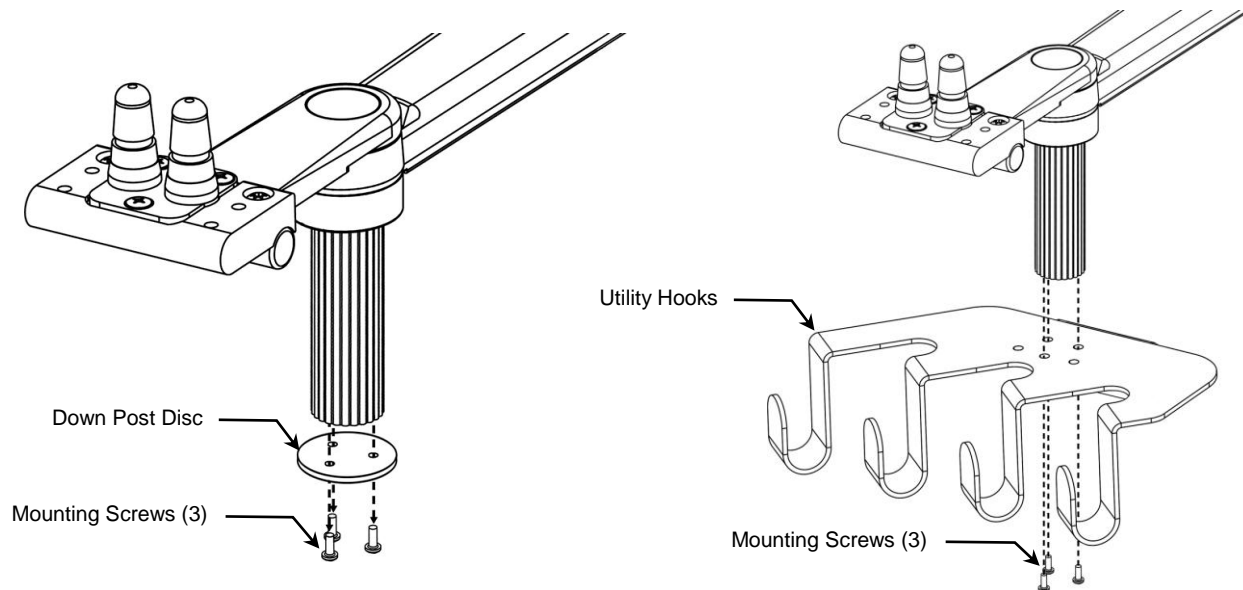
**Installation Note:** Installation below applies to M-Series and VHM Series Arms.

1. Using a Phillips screwdriver, fasten Utility Hooks to the (3) threaded mounting holes in the lower swivel cup with (3) 10-32 x 7/16" PHMS.



## Down Post Application

1. Using a Phillips screwdriver, remove the (3) mounting screws and Down Post Disc as shown (below left). Discard Down Post Disc.
2. Attach Utility Hooks to Down Post using the (3) mounting screws removed in Step 1 (below right).



## Routine Maintenance

Periodically check all mounting hardware. Tighten as necessary for optimal operation.

## Cleaning the Mounting Assembly

**Caution:** GCX makes no claims regarding the efficacy of the listed chemicals or processes as a means for controlling infection. Consult your hospital's infection control officer or epidemiologist. To clean or sterilize mounted instruments or accessory equipment, refer to the specific instructions delivered with those products.

1. The mounting assembly may be cleaned with most mild, non-abrasive solutions commonly used in the hospital environment (e.g. diluted bleach, ammonia, or alcohol solutions).
2. The surface finish will be permanently damaged by strong chemicals and solvents such as acetone or trichloroethylene.
3. Steel wool or other abrasive material should never be used.
4. Damage caused by the use of unapproved substances or processes will not be warranted. It is recommended that you test any cleaning solution on a small area of the mounting assembly that is not visible to verify compatibility.
5. Never submerge or allow liquids to enter the mounting assembly. Wipe any cleaning agents off the roll stand immediately, using a water-dampened cloth. Dry the mounting assembly thoroughly after cleaning.