

### Installation Guide

#### Folding L-Bracket with Display Mounting Extension and Keyboard Tray for M-Series or VHM Arm

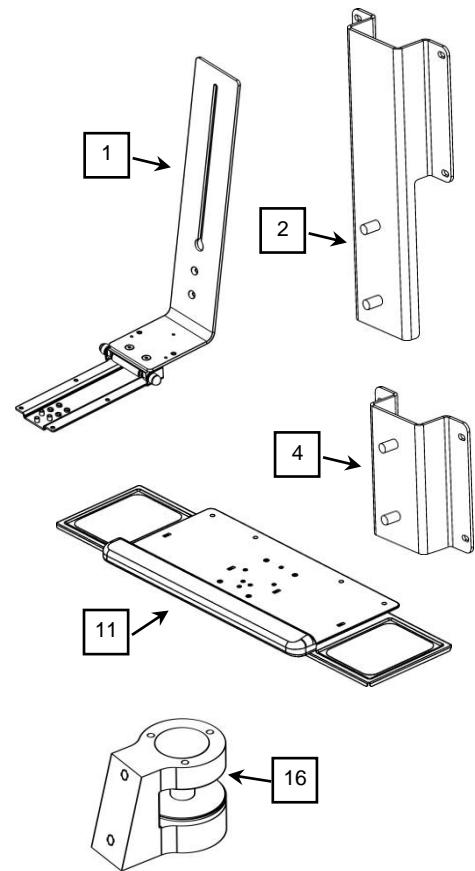
**The purpose of this guide is to:**

1. Describe installation of Fixed Tilt Front End (page 2).
2. Describe attachment of L-Bracket to Arm (page 3).
3. Describe attachment of Display Mounting Bracket to Display (page 3).
4. Describe mounting of Display to L-Bracket (page 4).
5. Describe attachment of Keyboard Tray to L-Bracket (page 5).
6. Describe folding tension adjustment (page 6).

**Parts Reference:**

The following parts and hardware are included in this installation kit (hardware not shown):

Item #	Description	Qty
1	Folding L-Bracket Assembly	1
2	100 x 100mm VESA Display Mounting Adapter, Height Adjustable	1
3	M4 x 8mm Pan Head Machine Screw (PHMS)	4
4	75 x 75mm VESA Display Mounting Adapter	1
5	Height Adjustment Knob	1
6	5/16" Nylon Lock Nut	1
7	Protective Cap	1
8	5/16 x 1.25 x .031 Teflon Washer	4
9	3/8" Fender Washer	2
10	M4 x 10mm PHMS	4
11	Keyboard Tray	1
12	10-32 x 5/16" Flat Head Machine Screw (FHMS)	4
13	16.5" Hook and Loop Strips	2
14	Mouse Pad	2
15	Mouse House	1
16	Fixed Tilt Front End	1
17	1/2-20 x 2" Hex Head Cap Screw (HHCS)	1
18	2" Fender Washer	1
19	1/2" Flat Washer	1
20	1/2" Bronze Bushing	1
21	1/2"-20 Nylock Hex Nut	1
22	1/2" Nyliner Bushing	1
23	2" Nylon Washer	2
24	Lexan Cover (white)	1
25	1/4-28 x 3/4" Flat Head Socket Cap Screws (FHSCS)	2
26	1/4" Hex Wrench	1
27	5/32" Hex Wrench	1

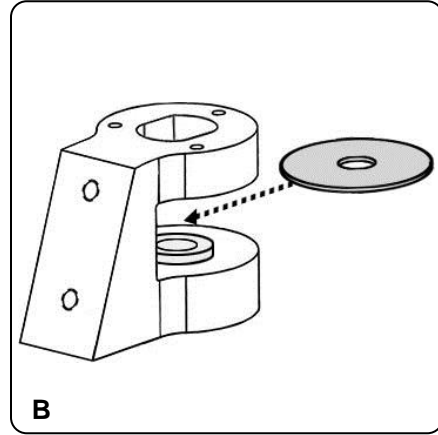
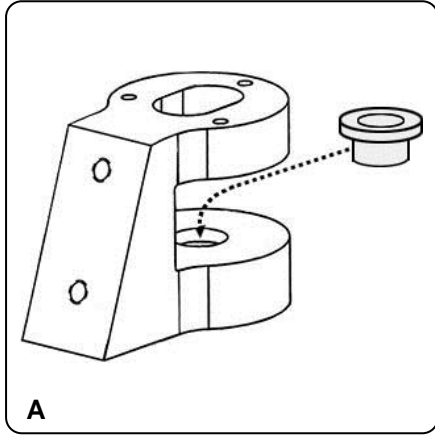


**Tools Required:**

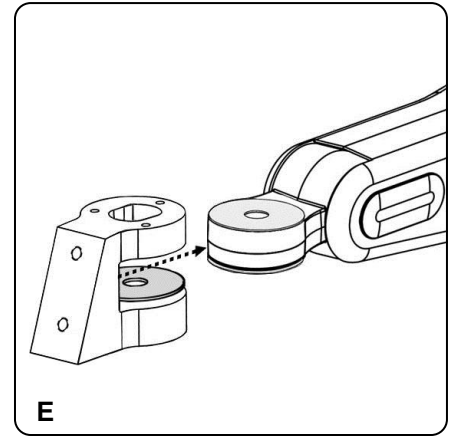
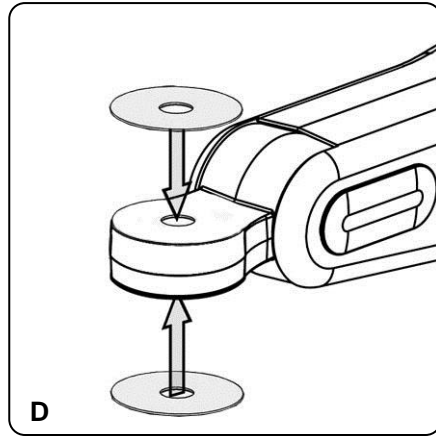
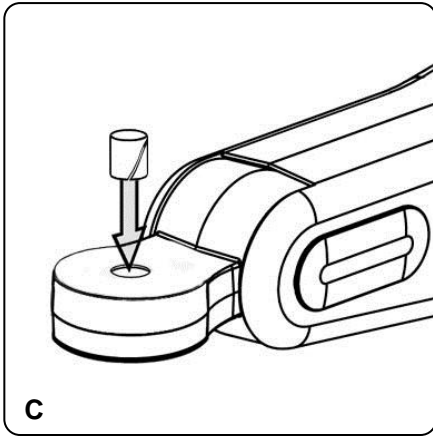
- 1/4" hex wrench (provided)
- 5/32" hex wrench (provided)
- Phillips screwdriver (not provided)
- 1/2" [13mm] nut driver or wrench (not provided)

## Installing Fixed Tilt Front End

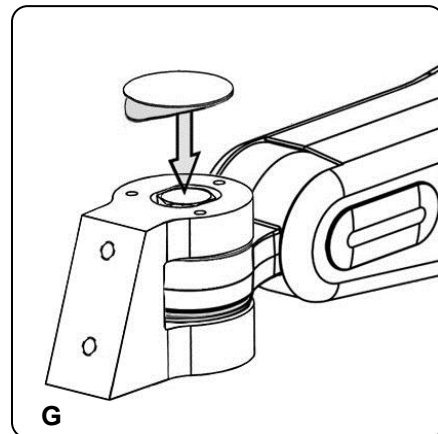
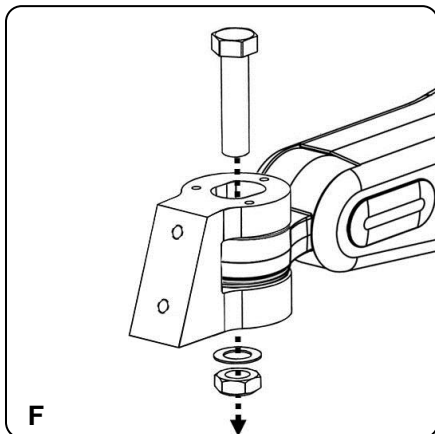
1. Install 1/2" Bronze Bushing into Fixed Tilt Front End (A) and position one (1) 2" Fender Washer on top of Bronze Bushing (B).



2. Install 1/2" Nylon Bushing into front pivot hole on mounting arm (C). Position one (1) 2" Nylon Washer on top of mounting arm, and one (1) 2" Nylon Washer on the bottom of mounting arm (D). While holding the two (2) Nylon Washers in place, guide the Fixed Tilt Front End onto mounting arm as shown (E).

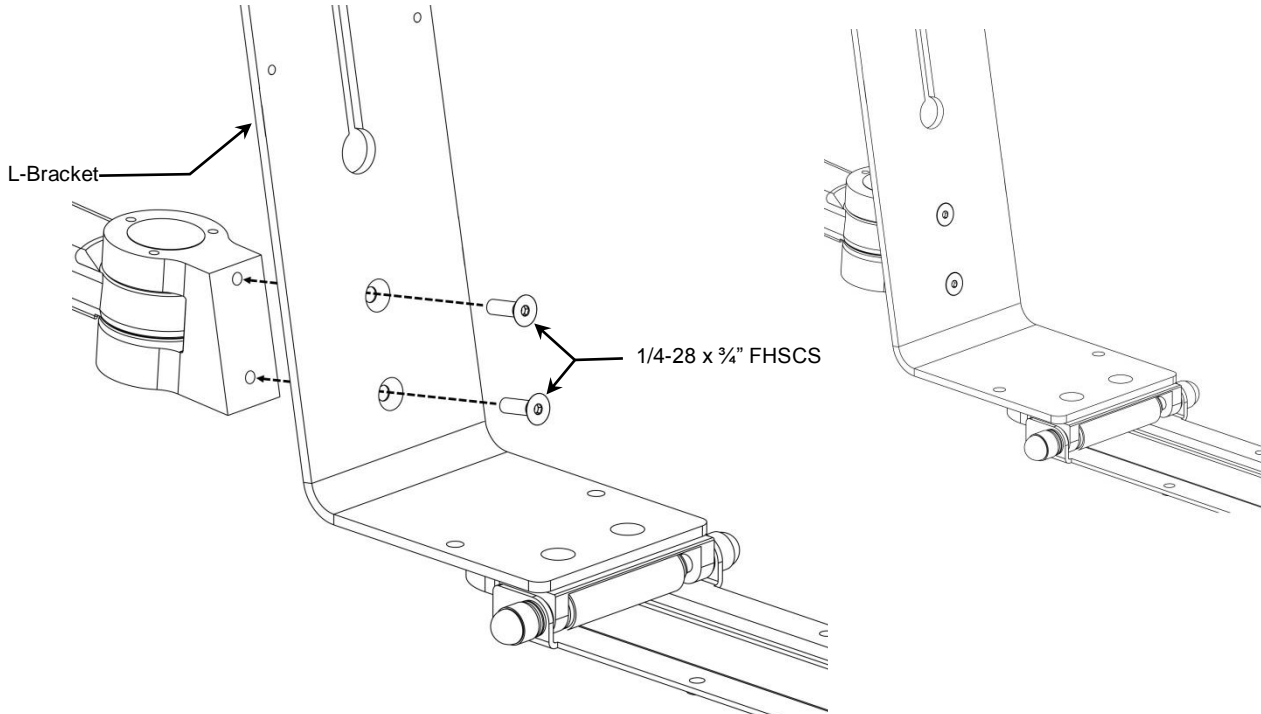


3. Align all the center holes on parts, bearing and washers. Insert the 1/2-20 x 2" HHCS from the top, through the center hole, capturing all the parts. When inserting the 1/2-20 x 2" HHCS, one has to also align the head of the HHCS to fit the slot on the top of the Fixed Tilt Front End. Place the 1/2" Flat Washer over the end of the HHCS underneath the Fixed Tilt Front End, then thread on the 1/2" Hex Nut. Tighten the Hex Nut using a 3/4" [19mm] socket wrench so the front end part rotates with some resistance (F). Apply white Lexan Cover (G).



## Attaching The L-Bracket to an M-Series or VHM Arm

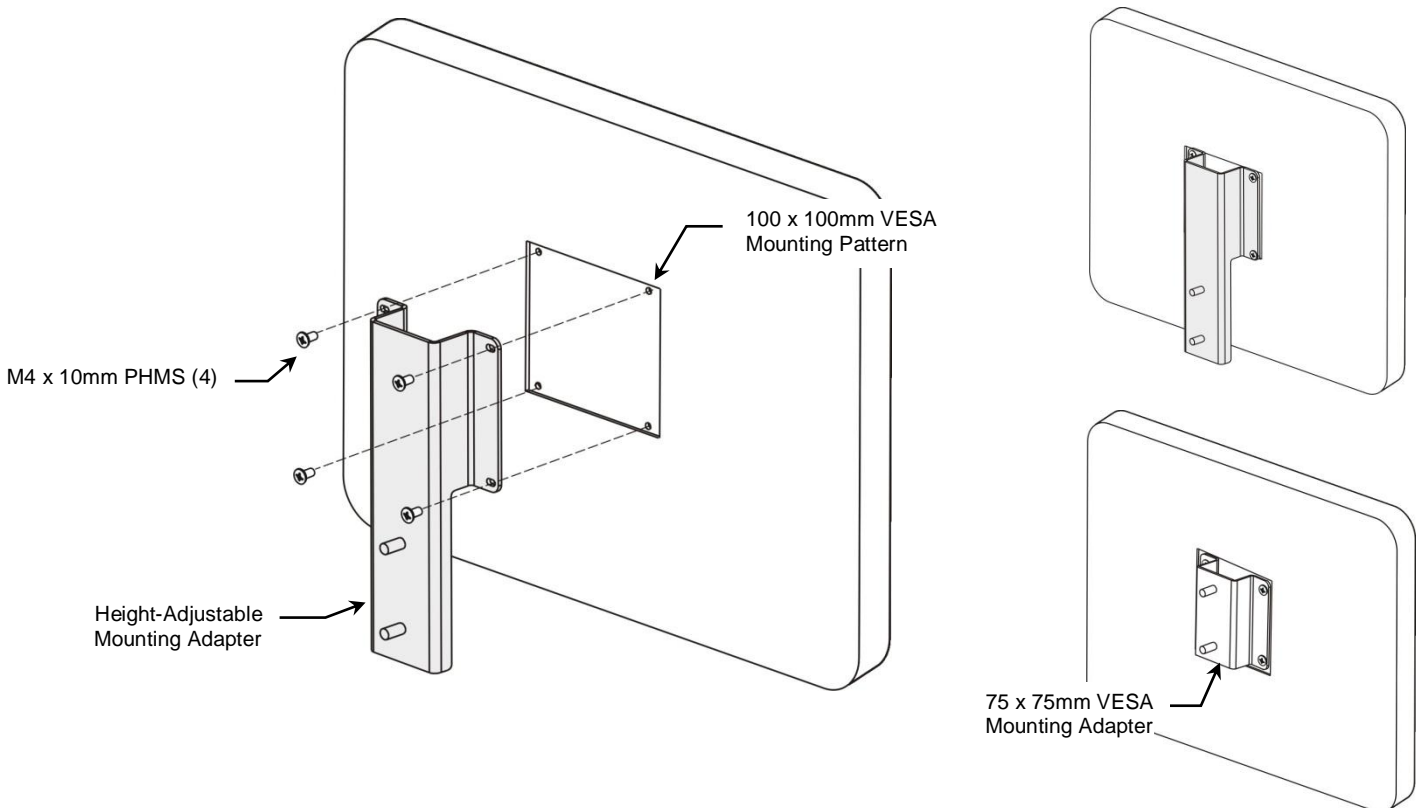
1. Using a 5/32" Hex Wrench, attach the L-Bracket to a Support Arm with two (2) 1/4-28 x 3/4" FHSCS. (M-Series Arm shown below)



## Attaching Display Mounting Adapter to Display

**Installation Note:** This installation procedure applies to both the height-adjustable Display Mounting Adapter (100 x 100mm VESA mounting pattern) and to the 75 x 75mm VESA Mounting Adapter (shown bottom right). Attachment of the height-adjustable Mounting Adapter for the 100 x 100mm VESA patterns is shown below.

1. Fasten Display Mounting Adapter to VESA mounting pattern on rear of display with four (4) M4 x 10mm PHMS.



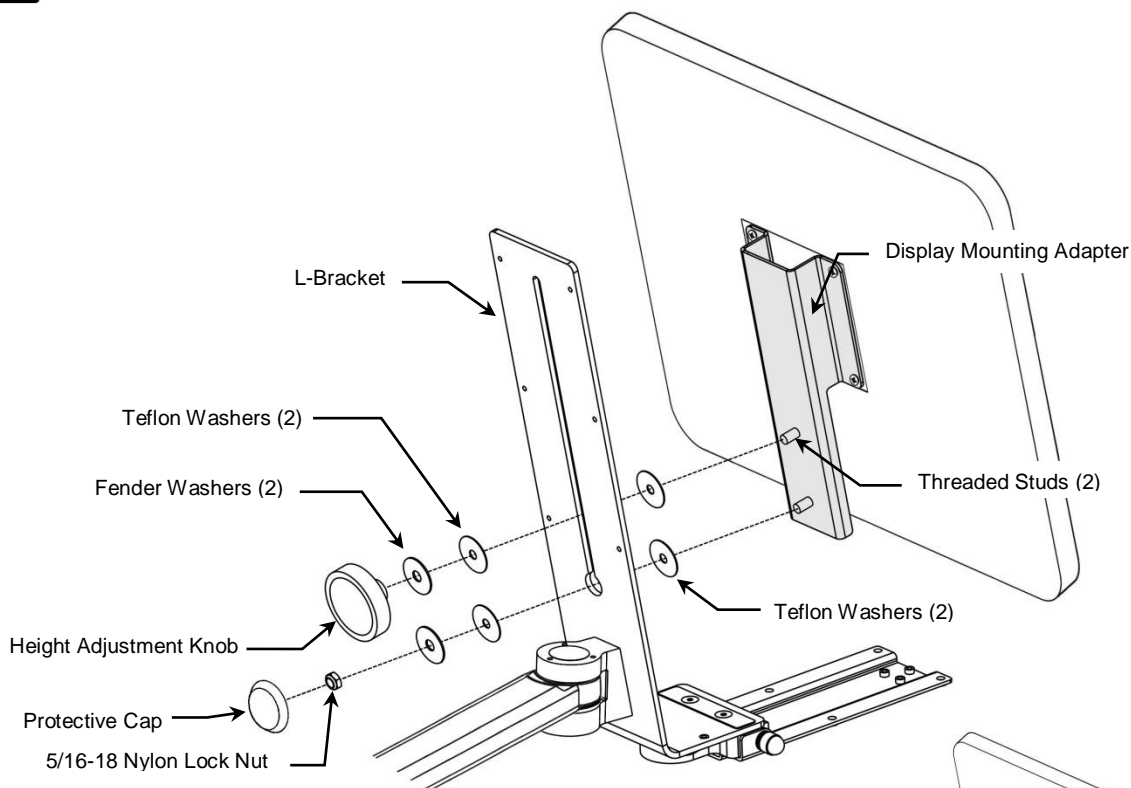
## Mounting the Display to the L-Bracket

1. Place one (1) Teflon Washer over each threaded stud on the Display Mounting Adapter.
2. Insert the threaded studs through the vertical slot in the L-Bracket and rest the bottom stud at the bottom of the slot.
3. Assemble one (1) Teflon Washer over each threaded stud.
4. Assemble one (1) Fender Washer over each threaded stud.
5. Thread the Height Adjustment Knob onto the upper threaded stud. Thread the 5/16-18 Nylon Lock Nut onto the lower stud. Using a 1/2" (13mm) nut driver or wrench, tighten the Lock Nut enough to secure the display/Display Mounting Adapter to the L-Bracket but leave it loose enough to allow vertical movement. Place the Protective Cap on the Lock Nut once tightened.

**Installation Note:** Only use the Height Adjustment Knob, not the Lock Nut to secure the display in vertical position on the L-Bracket.

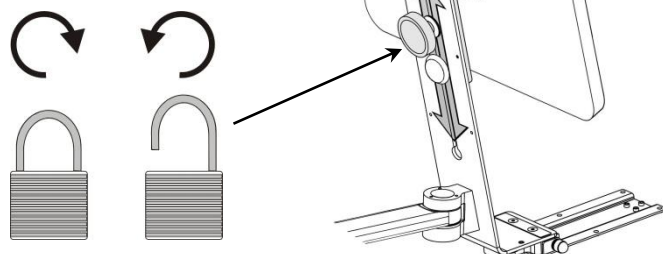


**WARNING:** The monitor could drop or slide down unexpectedly if the Height Adjustment Knob is loosened. Always support the display before making a height adjustment.



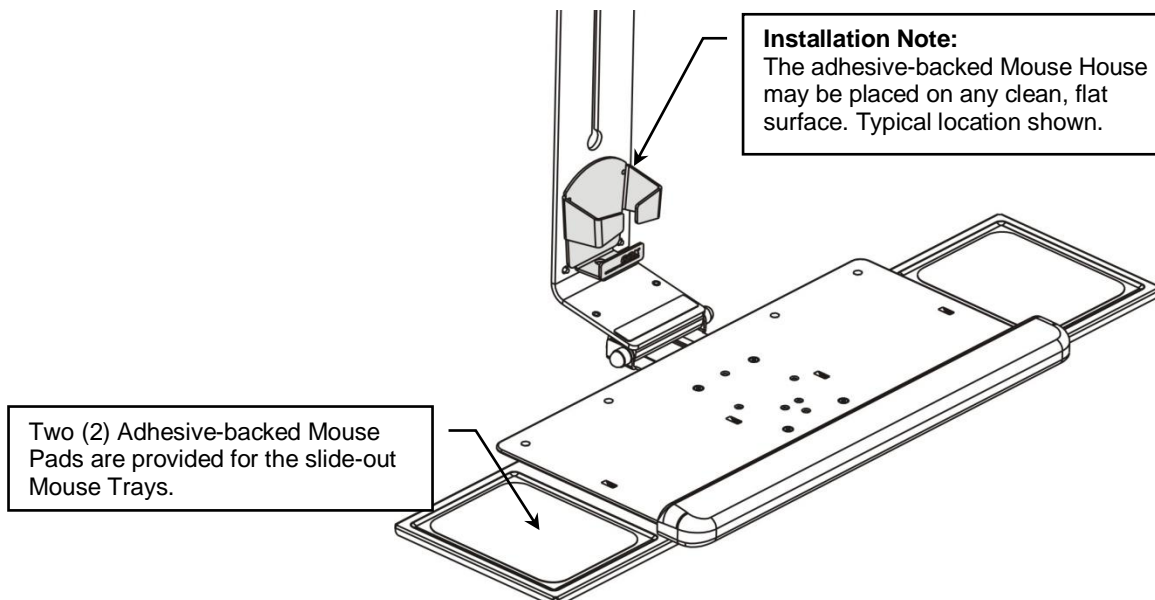
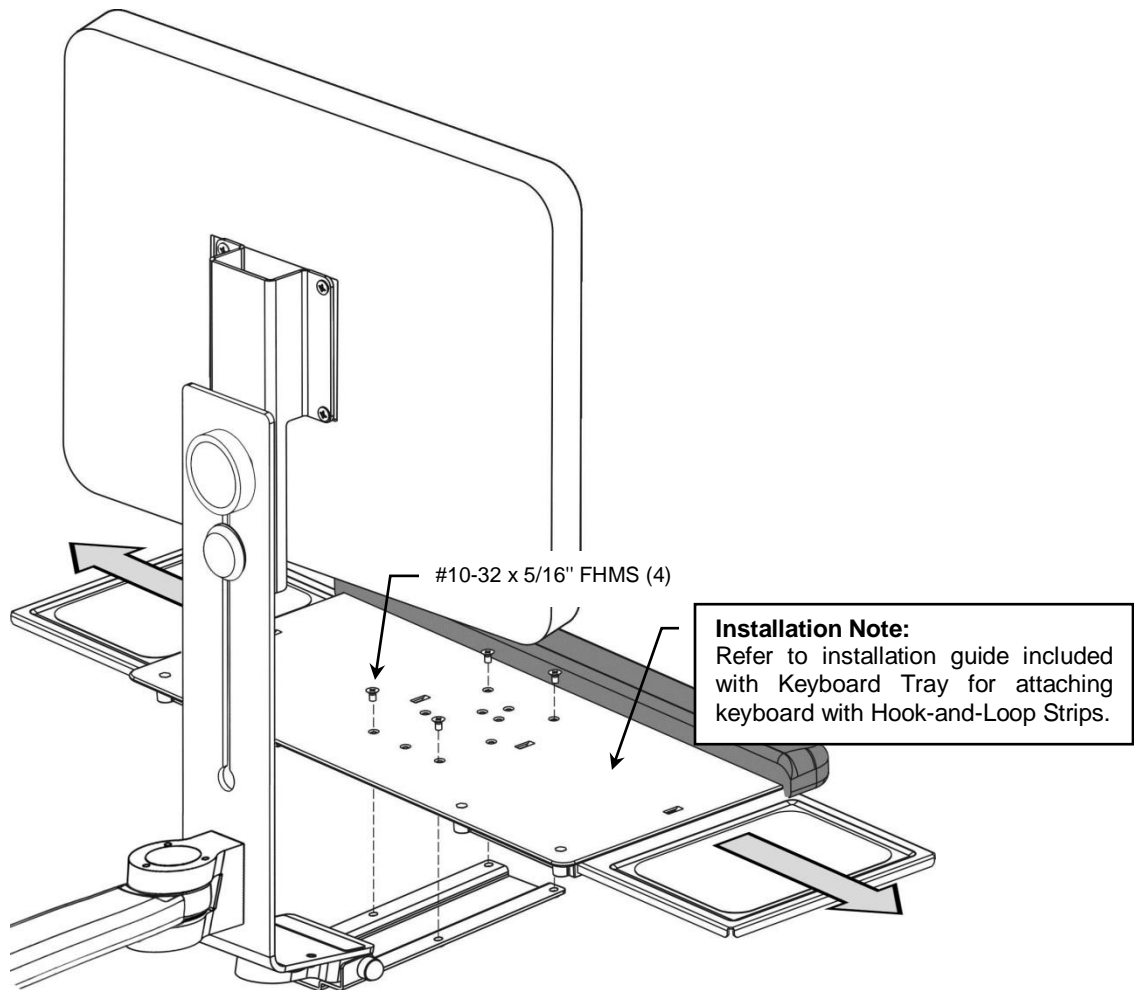
## Adjusting the Display

1. While holding the display, loosen the Height Adjustment Knob.
2. Move the display to the desired vertical position and tighten the Height Adjustment Knob.



## Attaching Keyboard Tray to L-Bracket

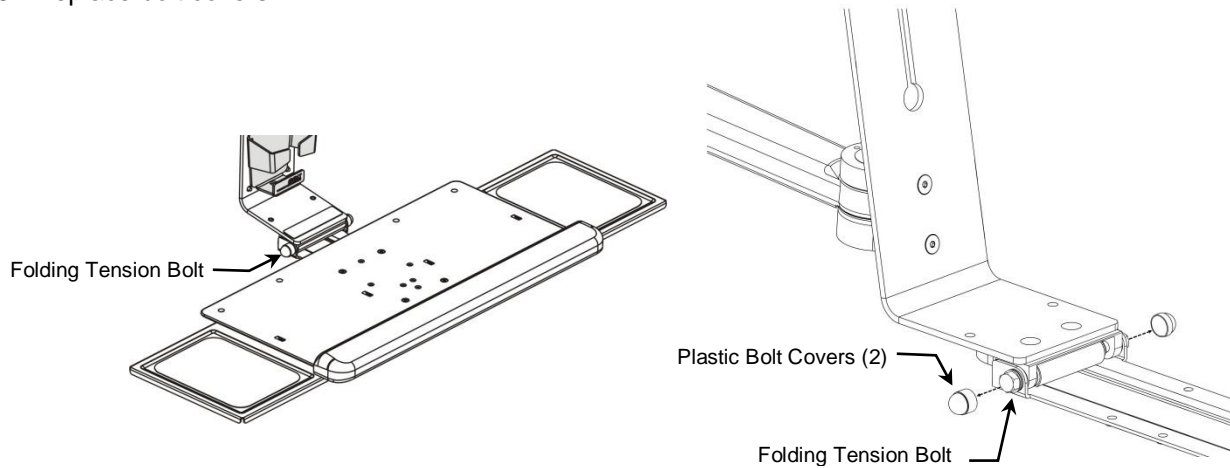
1. Pull the Mouse Trays out. This allows easier alignment of the Keyboard Tray with the L-Bracket.
2. Fasten the Keyboard Tray to the L-Bracket with four (4) #10-32 x 5/16" FHMS.



## Adjusting Folding Tension on the Folding Keyboard Bracket

If the Folding Keyboard Bracket becomes difficult to fold or will not maintain the folded (upward) position, adjust the folding tension as described below:

1. Pry plastic bolt covers off each end of the hinge bolt.
2. Using a 1/2" wrench on each end of the bolt, tighten or loosen bolt until desired tension is achieved.
3. Replace bolt covers.



## Routine Maintenance

Periodically check all mounting hardware. Tighten as necessary for optimal operation and safety.

## Cleaning the Mounting Assembly

1. The mounting assembly may be cleaned with most mild, non-abrasive solutions commonly used in the hospital environment (e.g. diluted bleach, ammonia, or alcohol solutions).
2. The surface finish will be permanently damaged by strong chemicals and solvents such as acetone and trichloroethylene.
3. Do not use steel wool or other abrasive material to clean the mounting assembly.
4. Damage caused by the use of unapproved substances or processes will not be covered by warranty. We recommend testing any cleaning solution on a small area of the mounting assembly that is not visible to verify compatibility.
5. Never submerge or allow liquids to enter the mounting assemblies. Wipe any cleaning agents off the mounting assembly immediately using a water-dampened cloth. Dry all mounting assemblies thoroughly after cleaning.

**CAUTION:** GCX makes no claims regarding the efficacy of the listed chemicals or processes as a means for controlling infection. Consult your hospital's infection control officer or epidemiologist. To clean or sterilize mounted instruments or accessory equipment, refer to the specific instructions delivered with those products.