

## Installation Guide

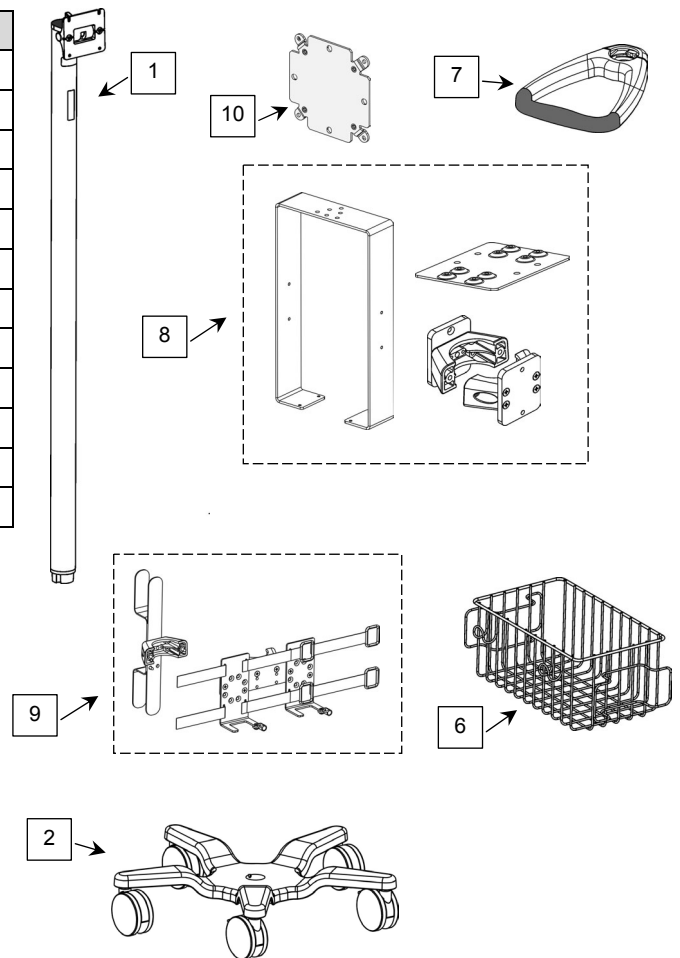
### Roll Stand Kit for Spacelabs Healthcare Ultraview SL 2700/2800 Monitors

*The purpose of this guide is to describe assembly of the Roll Stand and mounting of devices.*

#### Parts Reference

The following parts and hardware are included with this installation kit (some hardware not shown):

Item #	Description	Qty
1	Roll Stand Post, 46"	1
2	Roll Stand Base with 10 lb. Counterweight	1
3	5/16-18 x 1" Hex Head Cap Screw (HHCS)	1
4	5/16 Flat Washer	1
5	5/16 Split Lock Washer	1
6	Utility Basket (includes mounting hardware)	1
7	Handle (includes mounting hardware)	1
8	Mounting Adapter Kit, Module Housings on 2" Post	1
9	Power Supply Bracket with Cord Loop Hook	1
10	VESA Mounting Adapter, 100 x 100mm to 75 x 75mm	1
11	Cable Clip	2
12	5/32" Hex Wrench	1

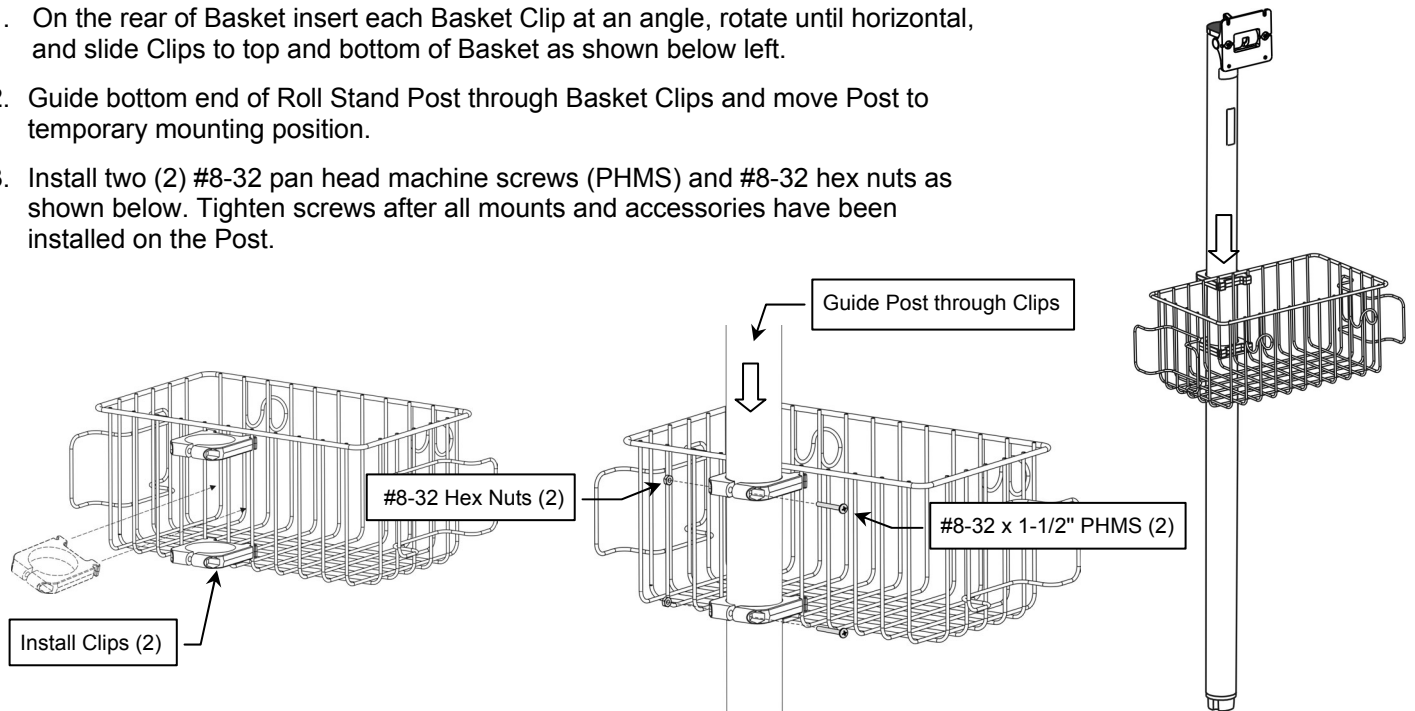


#### Tools Required

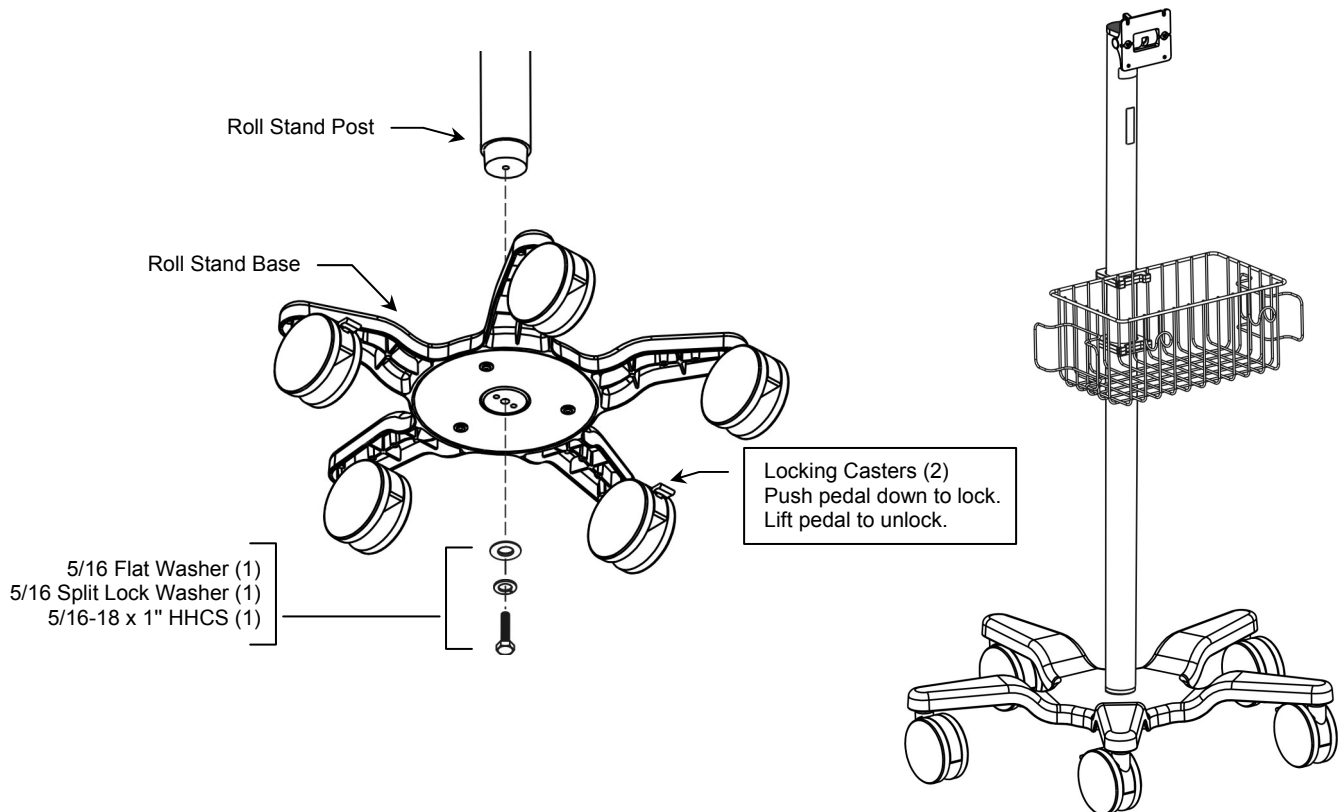
- Phillips screwdriver (not provided)
- 5/32" [4 mm] hex wrench (provided)
- 1/2" [13mm] wrench (not provided)

### Assembling the Roll Stand (Post – Basket – Base)

1. On the rear of Basket insert each Basket Clip at an angle, rotate until horizontal, and slide Clips to top and bottom of Basket as shown below left.
2. Guide bottom end of Roll Stand Post through Basket Clips and move Post to temporary mounting position.
3. Install two (2) #8-32 pan head machine screws (PHMS) and #8-32 hex nuts as shown below. Tighten screws after all mounts and accessories have been installed on the Post.

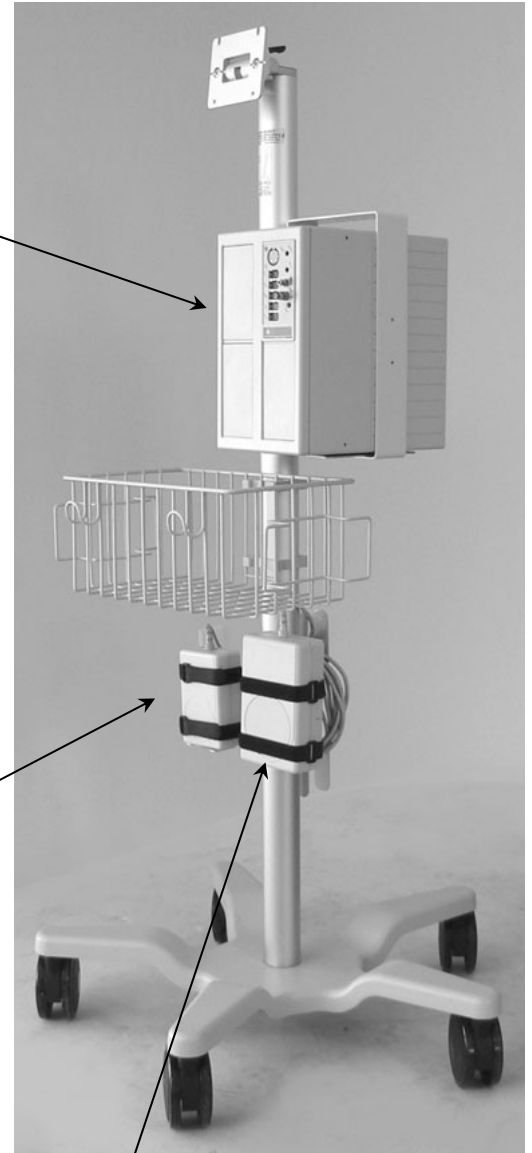
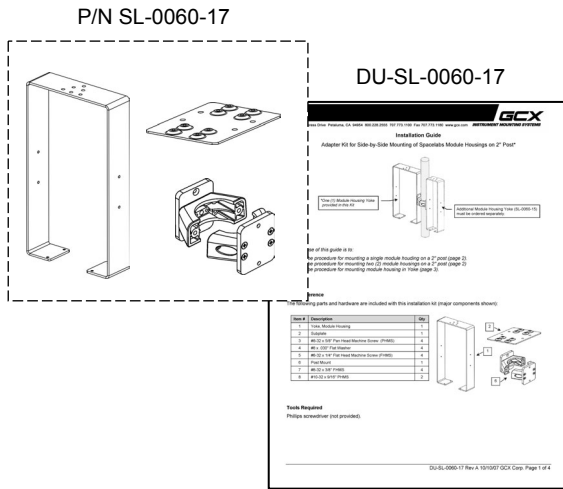


4. Insert Roll Stand Post in Base and lay assembly on its side (not shown) for access to bottom of Base.
5. Using a 1/2" [13 mm] wrench, fasten Post to Base with one (1) 5/16-18 x 1" HHCS, 5/16 split lock washer, and 5/16" flat washer as shown below center. Return Roll Stand to upright position



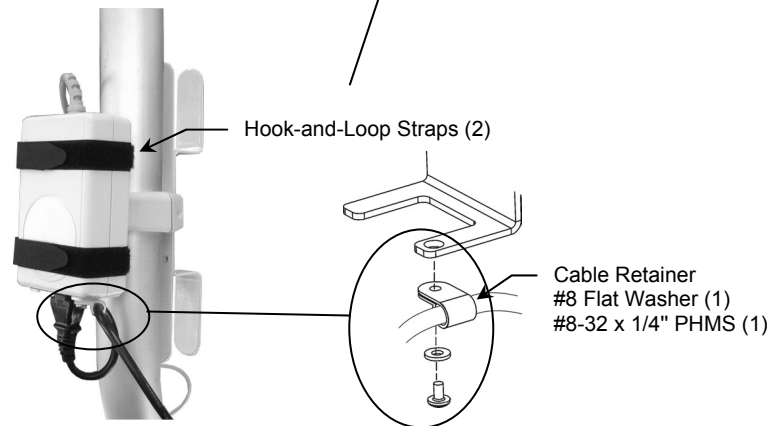
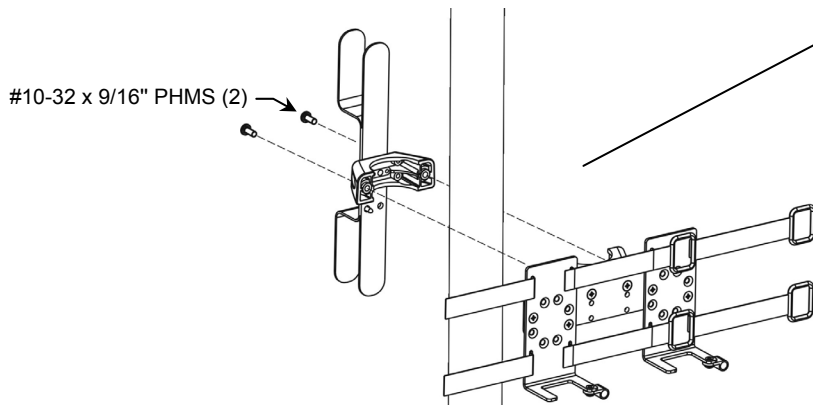
## Mounting Module Housings on the Roll Stand

Install module housing hangers according to the installation guide (DU-SL-0060-17) included with *Adapter Kit for Side-by-Side Mounting of Spacelabs Module Housings on 2" Post* (P/N SL-0060-17).



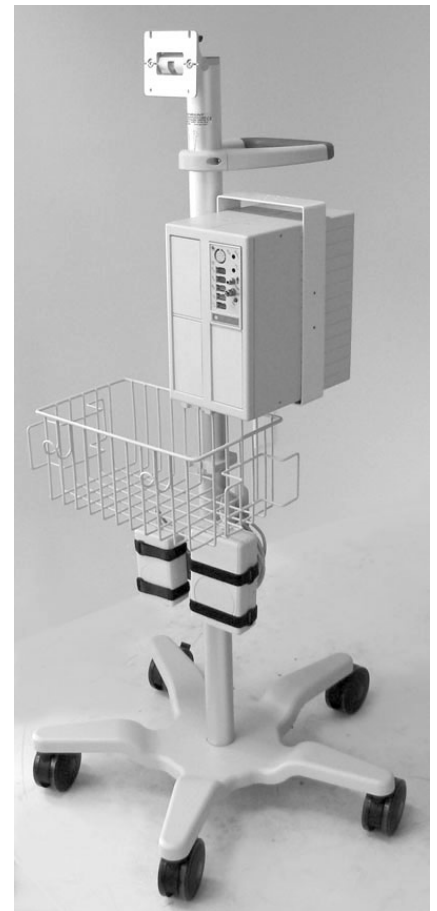
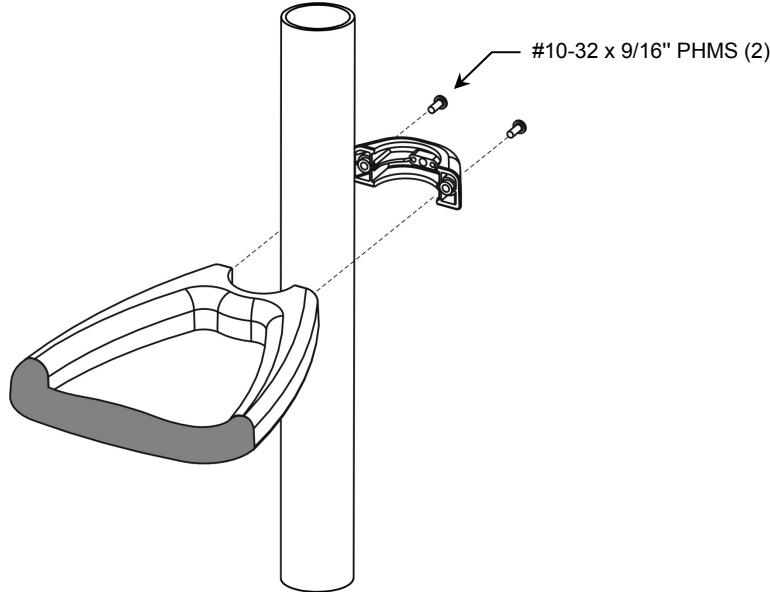
## Mounting Power Supplies on the Roll Stand

1. Fasten Power Supply Bracket/Cord Loop Hook to Roll Stand Post with two (2) #10-32 x 9/16" PHMS as shown below. Alternately tighten screws until assembly does not rotate around Post.
2. Mount power supplies and secure power cable as shown below.



## Attaching the Roll Stand Handle

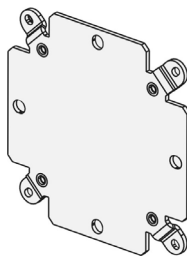
1. Fasten Handle to Roll Stand Post with two (2) #10-32 x 9/16" PHMS as shown. Alternately tighten Handle screws until Handle does not rotate around Post. **Installation Note:** Handle position shown is typical but Handle may be attached at any desired location on the Post.



## Mounting the Display

Mount the display on the VESA Mounting Plate in accordance with installation guide (DU-FLP-0002-17) included with *Mounting Kit for 75/100mm VESA® Compatible Flat Panel Displays (P/N FLP-0002-17)*.

P/N FLP-0002-17



DU-FLP-0002-17

**GCX**  
MEDICAL ELECTRONIC PRODUCTS

**Installation Guide**  
Mounting Kit for 75/100mm VESA® Compatible Flat Panel Displays

The purpose of this guide is to:

1. Describe mounting a flat panel display with 75 x 75mm VESA mounting pattern (page 2).
2. Describe attachment of mounting hardware to 75 x 75mm mounting pattern (page 2).
3. Describe mounting of flat panel displays on VESA mounting plate and roll stand (page 3).
4. Describe use of flat panel displays in the mounting arrangement (page 3).

**Parts Reference**  
The following parts and hardware are included with this installation kit (see illustration for part, hardware not shown):

Item #	Description	Qty
1	VESA Mounting Adapter, 100x100mm to 75x75mm	1
2	#10x1.5 1/16" Torx Screw	4
3	#10x1.5 1/8" Torx Washer	4
4	M4 10mm Torx Machine Screw (PHMS)	2
5	M4 Torx Nut	2
6	M4 10mm Spring	2
7	M4 10mm Spring	2
8	M4 10mm Spring	2
9	M4 10mm Spring	2
10	M4 10mm Spring	2
11	M4 10mm Spring	2
12	M4 10mm Spring	2
13	M4 10mm Spring	2
14	M4 10mm Spring	2
15	M4 10mm Spring	2
16	M4 10mm Spring	2
17	M4 10mm Spring	2
18	M4 10mm Spring	2
19	M4 10mm Spring	2
20	M4 10mm Spring	2

**Tools Required:** Phillips screwdriver.

**Selecting Mounting Hardware for the Display**

**WARNING:** This mounting kit provides an assortment of hardware for a wide variety of display mounting applications. It is the responsibility of the installer of this product to ensure that all devices used to mount the display have a maximum thread engagement of four (4) 300° turns into threaded inserts in rear of display and into threaded inserts in VESA Mounting Adapter. It is also the responsibility of the installer to ensure that screws are not inserted too far into the display, causing damage to internal components. Failure to adhere to this warning may void the warranty for the display, causing damage to internal components. Failure to adhere to this warning may void the warranty for the display, causing damage to internal components. Failure to adhere to this warning may void the warranty for the display, causing damage to internal components.

Displays will typically fall into one of four following categories:

1. Displays with 75 x 75mm Mounting Pattern: Displays with a 75 x 75mm mounting pattern will be fastened directly to the VESA mounting plate but may require screen lock spacers if required and follow applicable procedures on page 2 and 3.
2. Displays with 100 x 100mm Mounting Pattern: Displays with a 100 x 100mm mounting pattern require attachment of the VESA Mounting Adapter to the display. Displays may require screen lock spacers if required and follow applicable procedures on page 2 and 3. The VESA Mounting Adapter provides either a 75 x 75mm mounting pattern for attachment to a VESA Mounting Plate (page 2) or a mounting hardware for mounting the display on a roll stand (page 3). Screen lock spacers are available for mounting on page 2 and 3.

DU-FLP-0002-17 Rev E 11/15/08 GCX Corp. Page 1 of 3

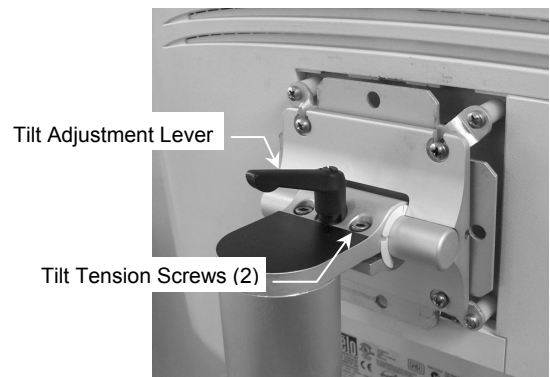
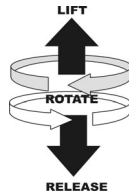


## Adjusting Swivel and Tilt Tension on the Tilt/Swivel Mounting Plate

**Adjusting Tilt:** Loosen the Tilt Adjustment Lever, tilt the monitor, and tighten the Lever (see Note below).

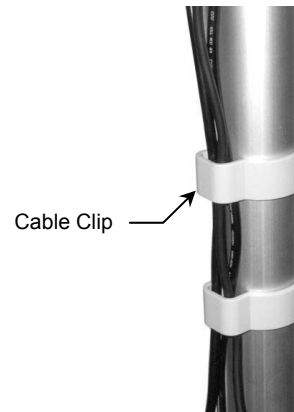
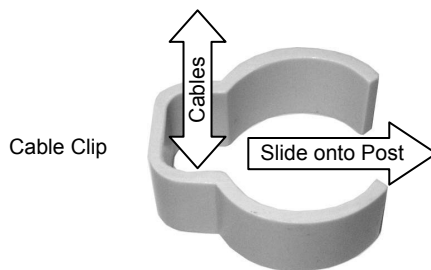
**Adjusting Tilt Tension:** Using the 5/32" hex wrench provided, equally tighten or loosen the two (2) tilt tension screws until desired tilt tension is achieved. Monitor should be mounted while making this adjustment.

**Note:** The Tilt Adjustment Lever is a multi-position clamping lever that operates by lifting, rotating, and releasing the handle.



## Cable Management

Two (2) Cable Clips are provided for managing cables along Roll Stand Post. Place loose cables inside Clip and slide Clip onto Post as shown.



## Routine Maintenance

Periodically inspect all fasteners associated with the mounting system. Tighten as necessary for optimal operation and safety.

## Cleaning the Mounting Assembly

1. The mounting assembly may be cleaned with most mild, non-abrasive solutions commonly used in the hospital environment (e.g. diluted bleach, ammonia, or alcohol solutions).
2. The surface finish will be permanently damaged by strong chemicals and solvents such as acetone and trichloroethylene.
3. Do not use steel wool or other abrasive material to clean the mounting assembly.
4. Damage caused by the use of unapproved substances or processes will not be covered by warranty. We recommend testing of any cleaning solution on a small area of the mounting assembly that is not visible to verify compatibility.
5. Never submerge the roll stand or allow liquids to enter the mounting assemblies. Wipe any cleaning agents off the mounting assembly immediately using a water-dampened cloth. Dry all mounting assemblies thoroughly after cleaning.

**CAUTION:** GCX makes no claims regarding the efficacy of the listed chemicals or processes as a means for controlling infection. Consult your hospital's infection control officer or epidemiologist. To clean or sterilize mounted instruments or accessory equipment, refer to the specific instructions delivered with those products.