

## OPERATING MANUAL FOR COUNTER TOP MOUNTS

### INSTALLATION

To install, use the base of the counter top mount as a template to mark holes for drilling. Drill 9/32" holes and use either the 1/4-20 X 3/4" or 1/4-20 X 1 3/4" carriage bolts (with kep nuts and washers) to secure mount to counter top.

### ADJUSTMENTS:

**TILT:** For Counter Top Mounts with Swivel-Tilt Heads:

1. Remove monitor from mount.
2. Remove Head and Mounting Plate from Column.
3. Rotate Tilt Adjustment Screw (with bladed screw driver) to desired angle.
4. Replace Swivel-Tilt Head into column.
5. Replace monitor onto Mounting Assembly.

For Counter Top Mounts with Manual Tilt Assemblies:

1. Loosen Adjustment Lever (if included with the assembly).
2. Grasp the top and/or bottom of the monitor/display and tilt to the desired angle.
3. Tighten adjustment lever (if included with the assembly).
4. To adjust the tilting tension, evenly tighten or loosen the (2) #8-32 X 1/2" SHCS – (Tension Adjustment Screws) with the hex key provided.

For Counter Top Mounts With Bi-Directional Heads:

1. Loosen the adjustment lever.
2. Set the instrument at the desired angle.
3. Tighten the adjustment lever.

**SWIVEL:** To rotate the monitor simply push or pull one or two corners of the monitor. The size and weight of the monitor will dictate the amount of force required to swivel. The actual swiveling of the mount is much easier once the monitor has been installed.

### MAINTENANCE:

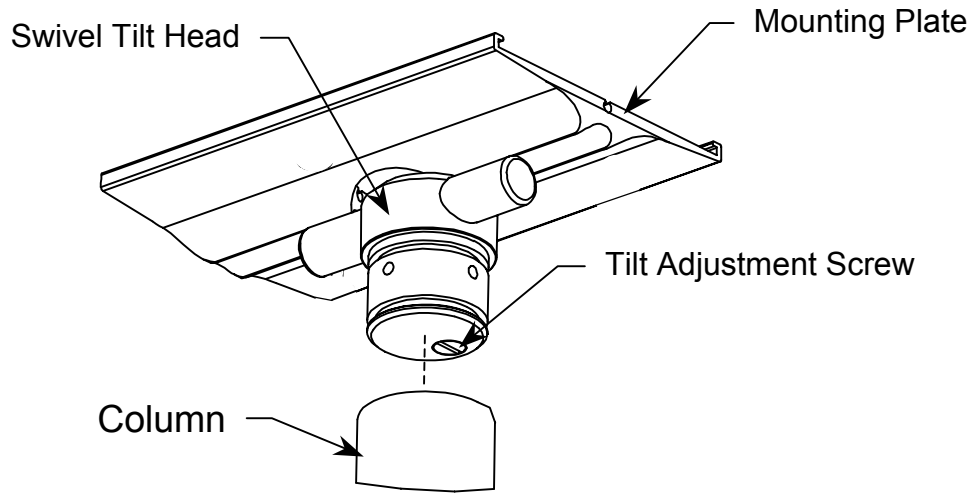
It is recommended that all the fasteners associated with the mounting system be periodically checked and tightened.

### CLEANING:

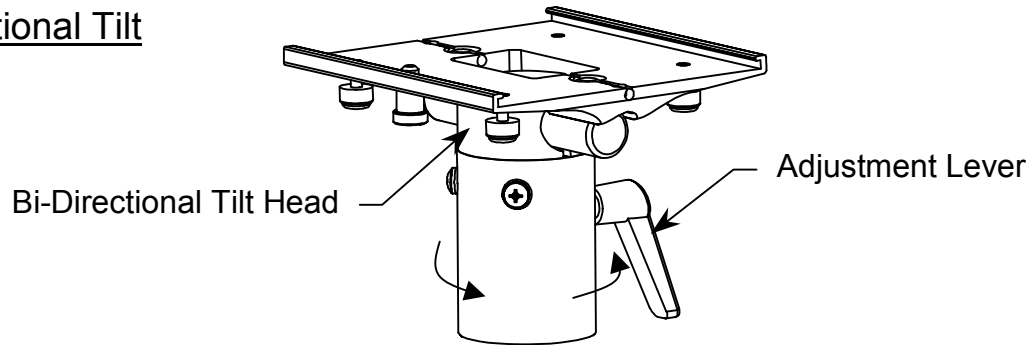
The mounting product can be cleaned with any non-abrasive solution as approved by the facility in which the product will be used.

# OPERATING MANUAL FOR COUNTER TOP ASSEMBLIES - TILT ADJUSTMENTS

## Tilt Adjustment Screw



## Bi-Directional Tilt Heads



## Manual Tilt Heads

