

Installation Guide

6" GCX Channel for Amico Regal Series Flatwall (14" and 17.75" Spacing)

The purpose of this guide is to describe mounting of the 6" GCX Channel to Amico Regal Series Flatwall

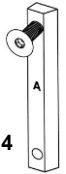
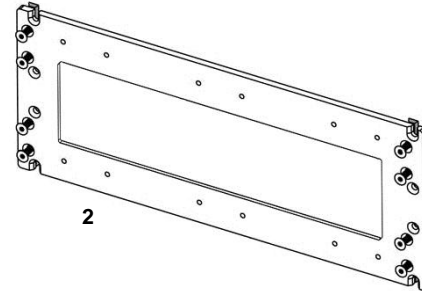
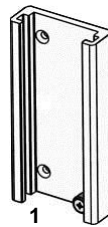


Warning: GCX makes no claim regarding the capacity of the Amico Regal Series Flatwall to carry a load. Refer to Amico / Modular Services Installation Guides for Headwall weight limits.

Parts Reference

The following parts and hardware are included with this installation kit (hardware not shown):

Item #	Description	Qty
1	6" Channel	1
2	Spanner Plate w/ attached Dovetail Runners (B)	1
3*	10-32 X 5/8" Flat Socket Head Cap Screw (FSHCS)	16
4	Dovetail Runner (A) w/ Guide Screw	4
5	10-32 X 1/2" Flat Head Machine Screw (FHMS)	4
6	Channel End Cap	1
7	1/8" Hex Wrench	1



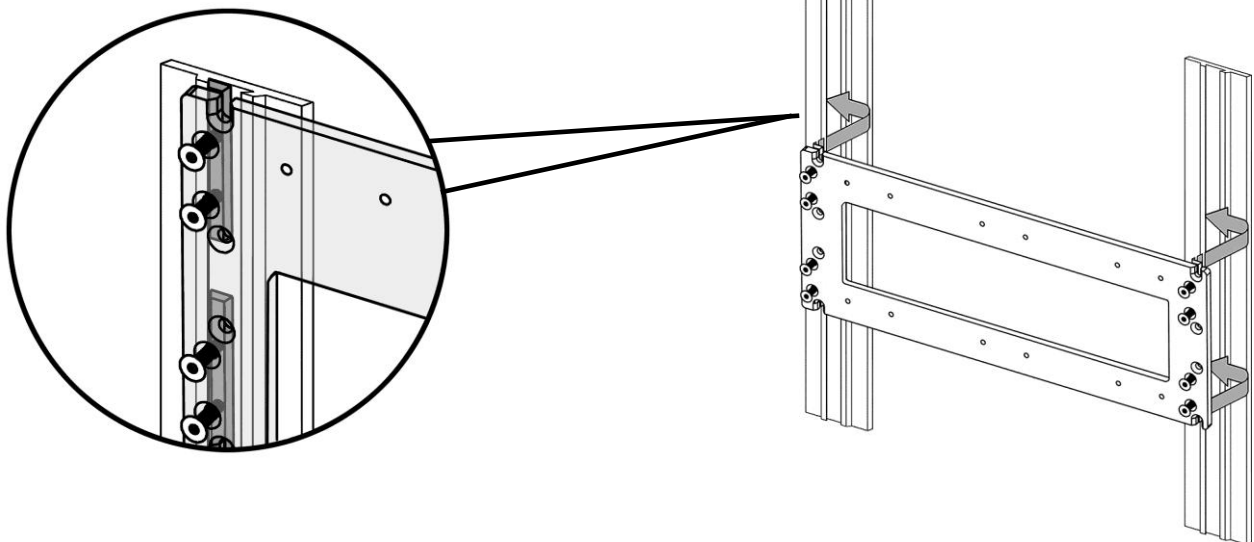
*A total of (12) 10-32 X 5/8" FSHCS have been pre-installed on to item numbers 2 and 4.

Tools Required:

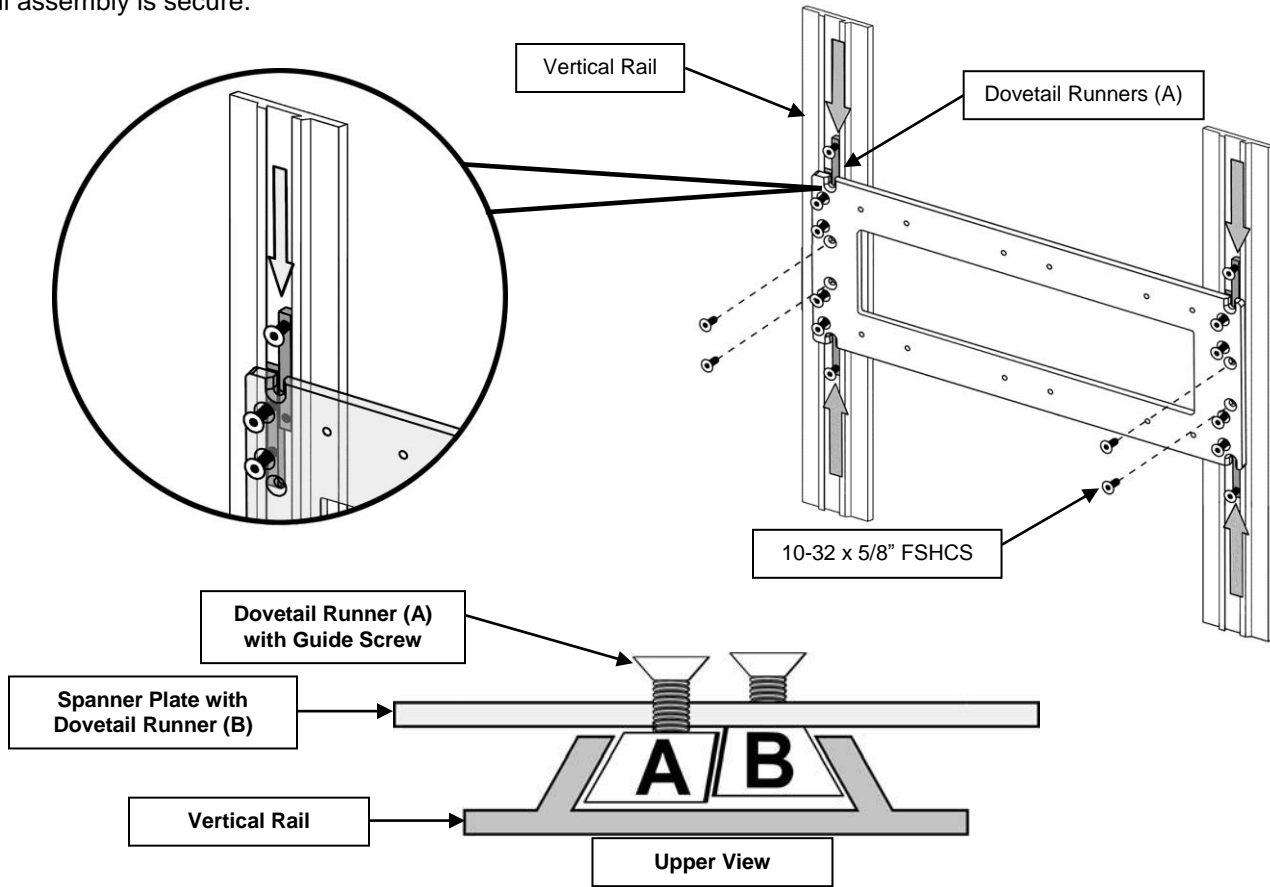
- 1/8" Hex Wrench (provided)
- Phillips Screwdriver (not provided)

Installing Spanner Plate onto Flatwall

1. Position Spanner Plate with attached Dovetail Runners into Vertical Rail. Screws must be kept loose. A second person may be needed to hold Spanner Plate in place.



- Install the (4) Dovetail Runners (A) into Vertical Rail and position the Guide Screw in Spanner Plate slot. Install (1) 10-32 x 5/8" FSHCS on each of the Dovetail Runners. Using the 1/8" hex wrench, alternatively tighten each of the (16) screws until assembly is secure.



Attaching 6" Channel to Spanner Plate

Installation Note: Make Sure the Fixed Channel Stop is positioned at the bottom when installing the Channel.

- There are (3) sets of mounting holes on the Spanner Plate. Determine which set of mounting holes will work best for application. Using a Philips screwdriver (not provided), secure 6" Channel to Spanner Plate with (4) 10-32 X 1/2" FHMS (Fig. 1).
- Install Channel End Cap after Mount has been installed into Channel (Fig. 2).

