

Installation Guide

Low-profile Counter Top Tilt Mount for GEHC Responder 2000 Defibrillator

The purpose of this guide is to:

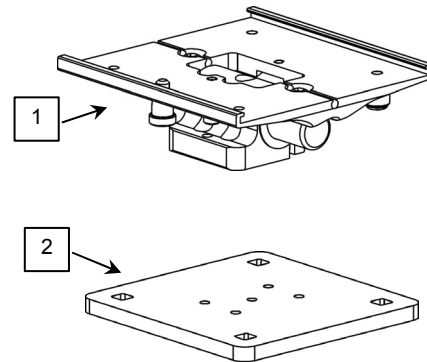
1. Describe installation of the Mount on a counter top (page 2).
2. Describe mounting of Responder 2000 in the Mount (page 3).



Parts Reference

The following parts and hardware are included in this installation kit (hardware not shown):

Item #	Description	Qty
1	Tilt Mount, Low-profile Countertop	1
2	Base Plate	1
3	#10-32 x 1/2" Socket Head Cap Screw (SHCS)	3
4	1/4-20 x 1-3/4" Carriage Bolt	4
5	1/4-20 x 3/4" Carriage Bolt	4
6	1-1/4" Flat Washer	4
7	1/4-20 Kep Nut	4
8	5/32" Hex Wrench	1



Tools Required

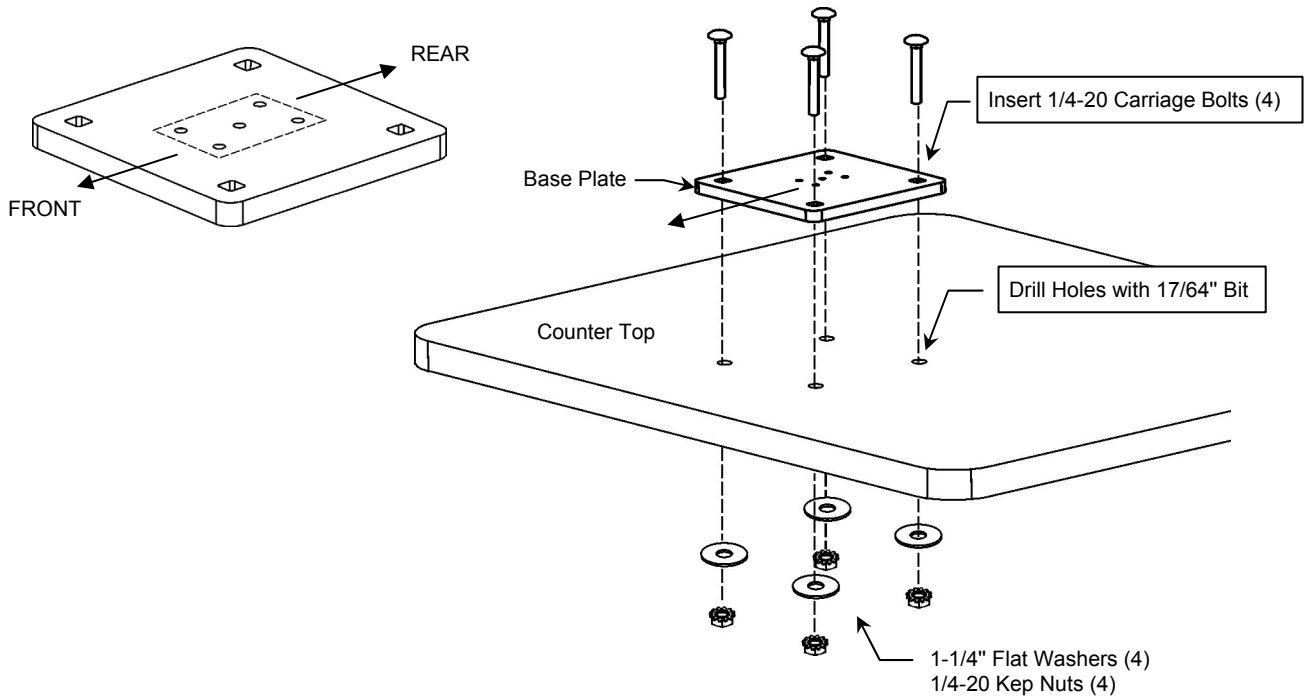
Drill and 17/64" drill bit (not provided); 7/16" wrench (not provided), and 5/32" hex wrench (provided).



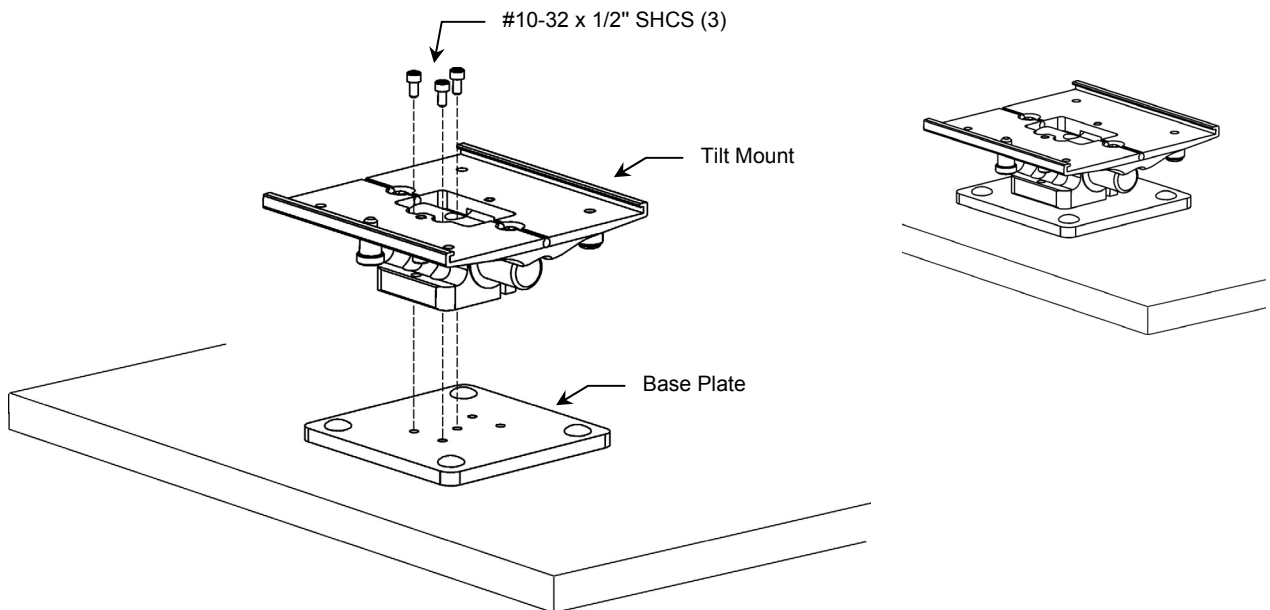
WARNING: It shall be the responsibility of the installer to determine whether the counter top surface will support the weight of the Mount and any mounted instruments or accessories.

Installing the Mount on a Counter Top

1. Using the four (4) mounting holes in the Base Plate as a template, drill four (4) holes in the counter top with a 17/64" drill bit.
2. Determine correct length of carriage bolt for thickness of counter top. See *Parts Reference* (page 1) for carriage bolts included in this mounting kit.
3. Align center mounting patterns (center of Base Plate) as shown below left. Fasten Base Plate to counter top with four (4) 1/4-20 carriage bolts, four (4) 1-1/4" flat washers, and four (4) 1/4-20 keps nuts (below right). Tighten nuts using a 7/16" wrench (not provided).



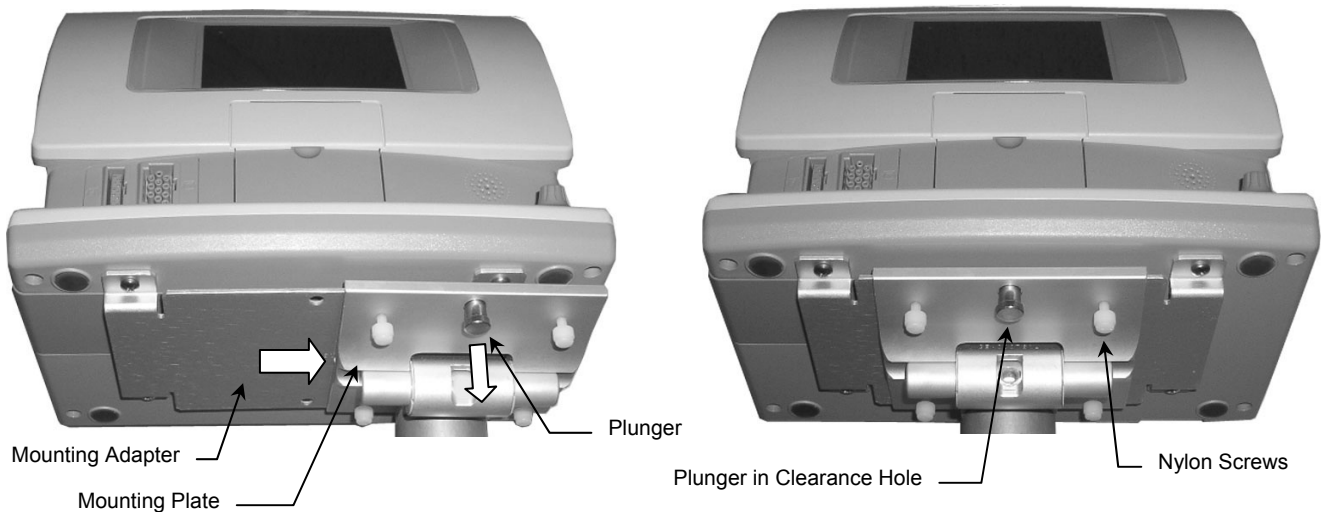
4. Using the 5/32" hex wrench provided, fasten Tilt Mount to Base Plate with three (3) #10-32 x 1/2" SHCS as shown below.



Mounting Responder 2000 on the Slide-on Mounting Plate

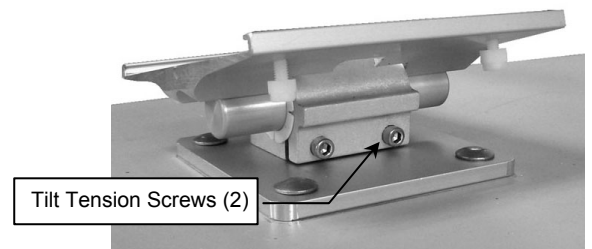
Installation Note: The Mounting Adapter (P/N GEM-0007-16) shown in photos below is not included in this mounting kit.

1. Slide Mounting Adapter (bottom of monitor) onto Mounting Plate until Adapter makes contact with Plunger. Pull and hold Plunger while sliding Adapter over Plunger. Release Plunger and continue sliding monitor until Plunger snaps into clearance hole. Tighten Nylon screws on bottom of Mounting Plate.



Adjusting Tilt Tension

Two (2) tilt tension screws are located on the rear of the Tilt Mount, below the Mounting Plate. Using the 5/32" hex wrench provided, tighten or loosen the tilt tension screws (right) as required. The defibrillator must be mounted when adjusting tilt tension.



Routine Maintenance of the Mounting Assembly

Periodically check all mounting hardware. Tighten as necessary for optimal operation and safety.

Cleaning the Mounting Assembly

CAUTION: GCX makes no claims regarding the efficacy of the listed chemicals or processes as a means for controlling infection. Consult your hospital's infection control officer or epidemiologist. To clean or sterilize mounted instruments or accessory equipment, refer to the specific instructions delivered with those products.

1. The mounting assembly may be cleaned with most mild, non-abrasive solutions commonly used in the hospital environment (e.g. diluted bleach, ammonia, or alcohol solutions).
2. The surface finish will be permanently damaged by strong chemicals and solvents such as acetone and trichloroethylene.
3. Do not use steel wool or other abrasive material to clean the mounting assembly.
4. Damage caused by the use of unapproved substances or processes will not be covered by warranty. We recommend testing of any cleaning solution on a small area of the mounting assembly that is not visible to verify compatibility.
5. Never submerge or allow liquids to enter the mounting assembly. Wipe any cleaning agents off of the mounting assembly immediately using a water-dampened cloth. Dry mounting assembly thoroughly after cleaning.