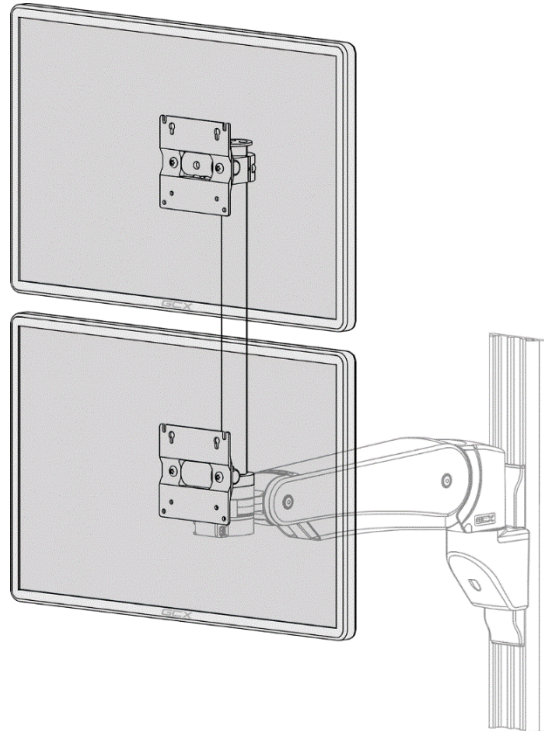


Installation Guide Stacked Dual Display Mount, VHM-P



Installation note: This Stacked Dual Display Mount (above/below) is designed to be used on GCX VHM-P arms with the Swivel Suspension front end. Each mount features a 75/100mm VESA mount and the upper mount can be adjusted for different display sizes. The approximate maximum display height is 15" (38cm) for each display. The weight limit for each VESA mount is 20lbs. (9kg) max. based on the max. VHM-P arm load range of 45lbs. (20kg)

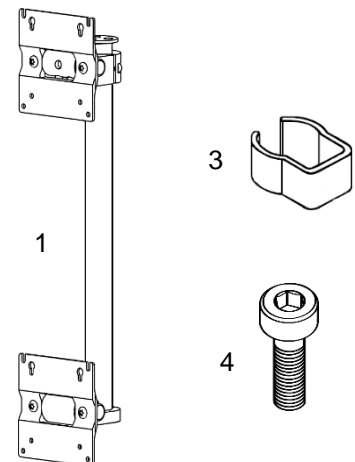


Parts Reference

Item #	Description	Quantity
1	Stacked Dual Display Mount	1
2	75/100mm VESA Hardware Kit	2
3	Cable Clip	2
4	10-32 x 5/8 SHCS	3

Tools Required

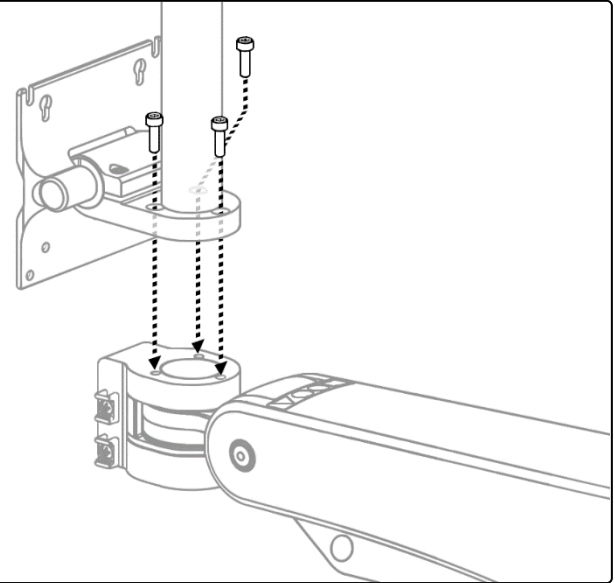
Phillips screwdriver (not supplied)
3/16" hex wrench (supplied with GCX mount)
5/32" hex wrench (supplied with GCX mount)



Installation note: Refer to the cable routing and installation instructions supplied with your GCX VHM-P arm. Cable routing should be completed after the dual displays are installed to the mount.

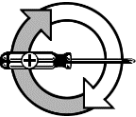
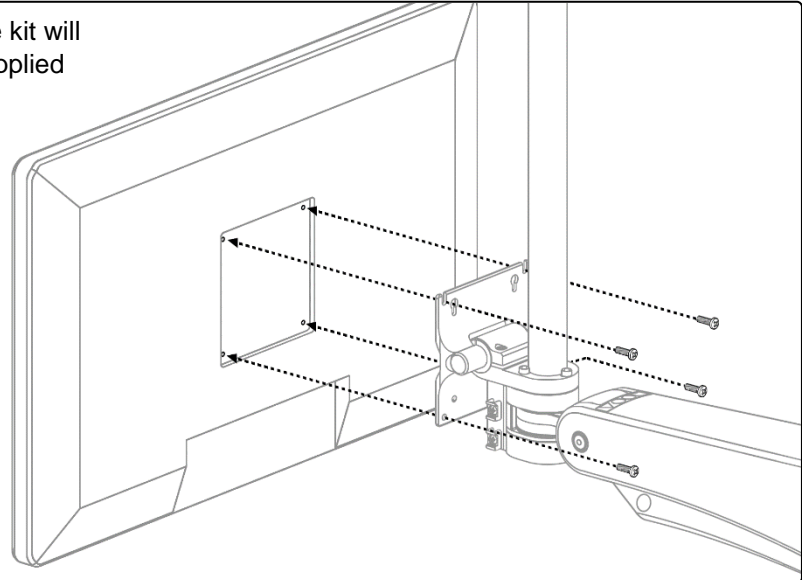
Install Stacked Dual Display Mount to VHM-P arm

1. Install the Stacked Dual Display Mount to the front end of the VHM-P arm using the three 10-32 X 5/8 SHCS included. Tighten the three SHCS using the 5/32 hex wrench.



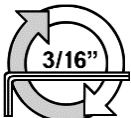
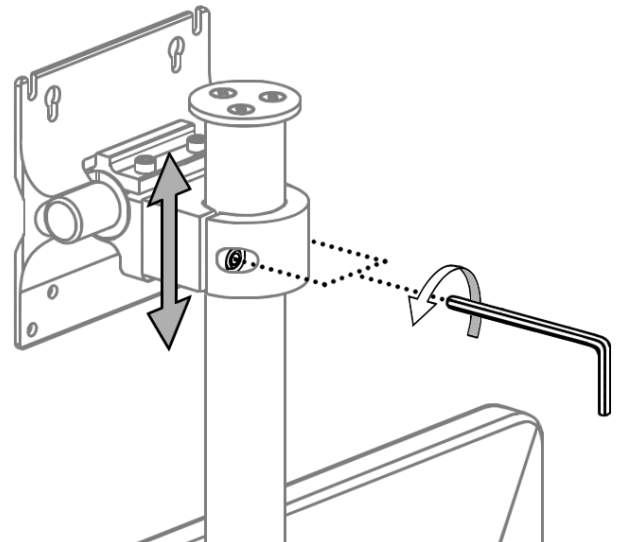
Install lower display to Stacked Dual Display Mount

1. Determine which M4 screws from the 75/100mm hardware kit will be appropriate for your display, refer to the instructions supplied with that hardware kit.
2. Install the lower display to the bottom VESA mount on the Stacked Dual Display Mount as shown, tighten the M4 screws using a Philips screwdriver.



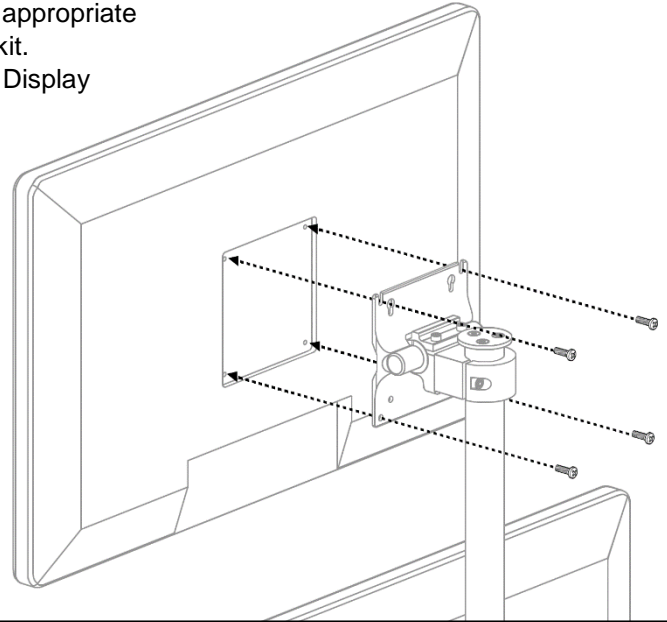
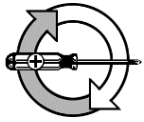
Adjusting upper Display Mount

1. Adjust the height of the top VESA mount so that you have adequate spacing between both displays. To adjust the upper VESA mount, loosen the 1/4-20 SHCS on the clamp using the 3/16 hex wrench. Slide the VESA mount up/down to desired position, then tighten the 1/4-20 SHCS to secure the mount to the post. Make sure the VESA mounts are aligned with each other, facing to front.



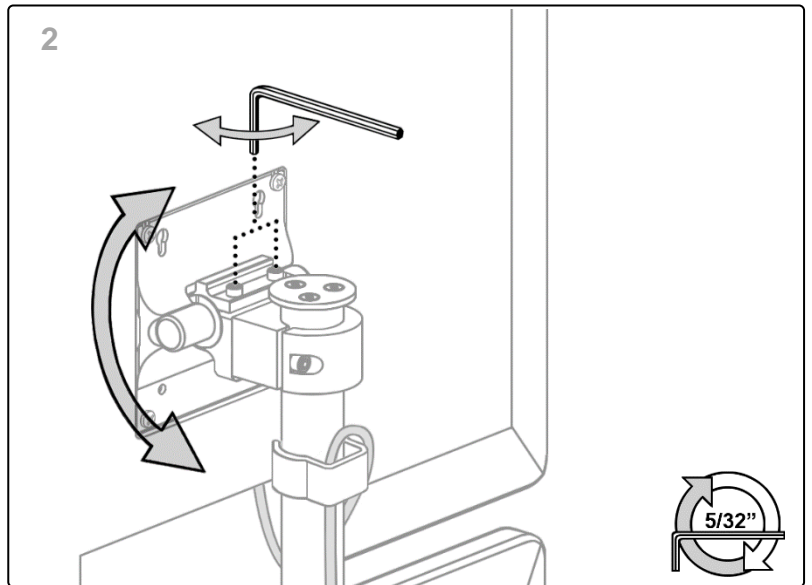
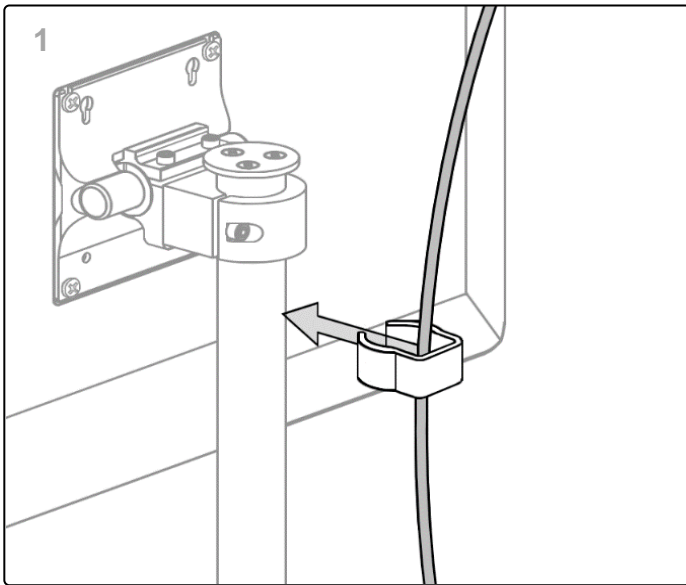
Install upper display to Stacked Dual Display Mount

1. Determine which M4 screws from the 75/100mm hardware kit will be appropriate for your display, refer to the instructions supplied with that hardware kit.
2. Install the upper display to the top VESA mount on the Stacked Dual Display Mount as shown, tighten the M4 screws using a Philips screwdriver.



Install cables to displays and adjust tilt tension

1. After the displays are installed attach and route the cables, the two cable clips can be used to secure the display cables to the mount.
2. The tilt tension on each VESA mount can be adjusted with the two 10-32 SHCS on top of each mount. Use the 5/32 hex wrench to adjust the tilt tension.



Routine Maintenance

Periodically inspect all fasteners associated with the mounting system. Tighten or adjust fasteners as necessary for optimal operation and safety.

Cleaning the Mounting Assembly

1. The mounting assembly may be periodically cleaned with most mild, non-abrasive solutions commonly used in the hospital environment (e.g. diluted bleach, ammonia, or alcohol solutions).
2. The surface finish will be permanently damaged by strong chemicals and solvents such as acetone or trichloroethylene.
3. Do not use Steel wool or other abrasive material.
4. Damage caused by the use of unapproved substances or processes will not be warranted. It is recommended that you test any cleaning solution on a small area of the mounting assembly that is not visible to verify compatibility.
5. Never submerge or allow liquids to enter the mounting assembly. Wipe any cleaning agents off of the mounting assembly immediately, using water dampened cloth. Dry the assembly thoroughly after cleaning.

CAUTION: GCX makes no claims regarding the efficacy of the listed chemicals or processes as a means for controlling infection. Consult your hospital's infection control officer or epidemiologist. To clean or sterilize mounted devices or accessory equipment, refer to the specific instructions delivered with those products before installing the arm in the Channel.