

## GCX Mounting Assembly Installation Guide

### Fukuda Denshi DS-7100 – Mounting Adapter

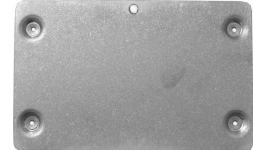
The purpose of this guide is to describe attachment of Mounting Adapter to monitor.

#### Parts Reference

The following parts and hardware are included with this installation kit (see photo for part; hardware not shown):

Item #	Description	Qty
1	Mounting Adapter	1
2	M4 x 8mm Pan Head Machine Screw (PHMS)	4
3	#8 Flat Washer,	4
4	#8 Lock Washer, Split	4

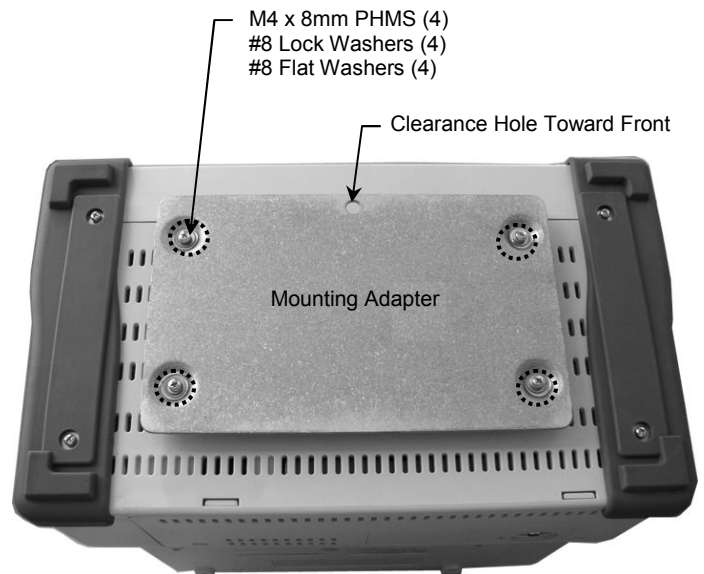
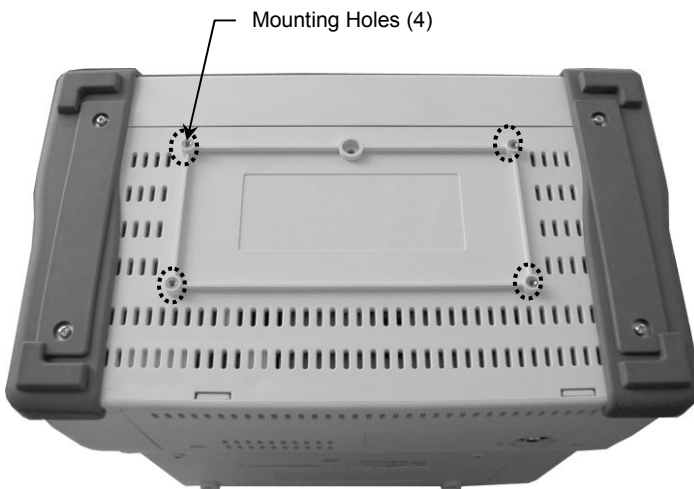
Mounting Adapter



**Tools Required:** Phillips screwdriver.

#### Attaching Mounting Adapter to Monitor

1. Fasten Mounting Adapter to mounting holes on bottom of monitor with four (4) M4 x 8mm PHMS, #8 lock washers, and #8 flat washers. **Installation Note:** Ensure clearance hole is oriented toward front of monitor.



2. Mount the monitor according to separate instructions with the Mounting System.