

Installation Guide

Horizontal Channel Plate for Datex-Ohmeda Aestiva Anesthesia Machine

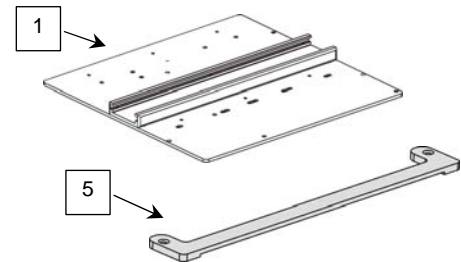
The purpose of this guide is to describe attachment of Horizontal Plate to anesthesia machine.

Warning: Do not mount equipment such that its center of gravity is outside the perimeter of the Top Plate.

Parts Reference

The following parts and hardware will be used in this procedure (see photo for parts, hardware not shown):

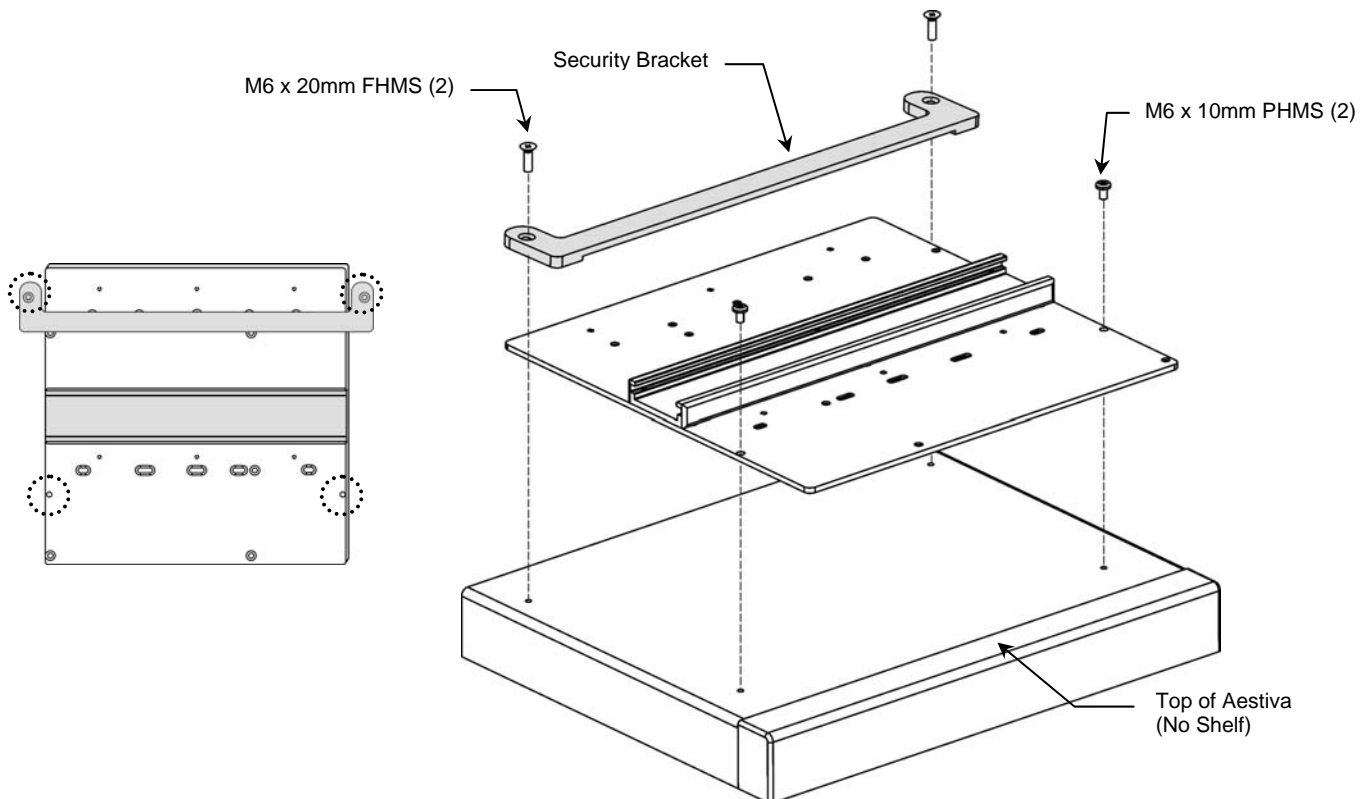
Item #	Description	Qty
1	Horizontal Channel Plate	1
2	M6 x 8mm Flat Head Machine Screw (FHMS)	3
3	M6 x 14mm FHMS	4
4	M6 x 10 Pan Head Machine Screw (PHMS)	2
5	Security Bracket	1
6	M6 x 20 mm Flat Head Machine Screw (FHMS)	2



Tools required: Phillips screwdriver (not provided), 5/32" [4mm] hex wrench (not provided).

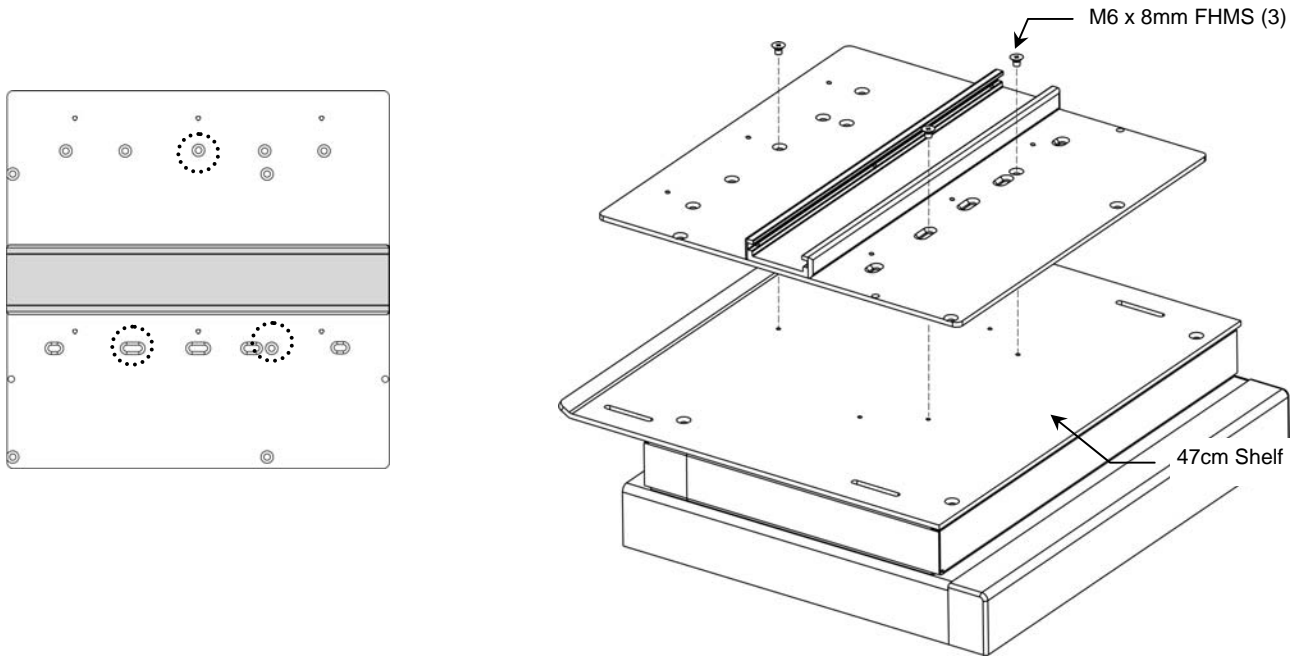
Attaching Horizontal Channel Plate Directly to Top of Aestiva

Fasten the Horizontal Channel Plate to the top of Aestiva as shown below.



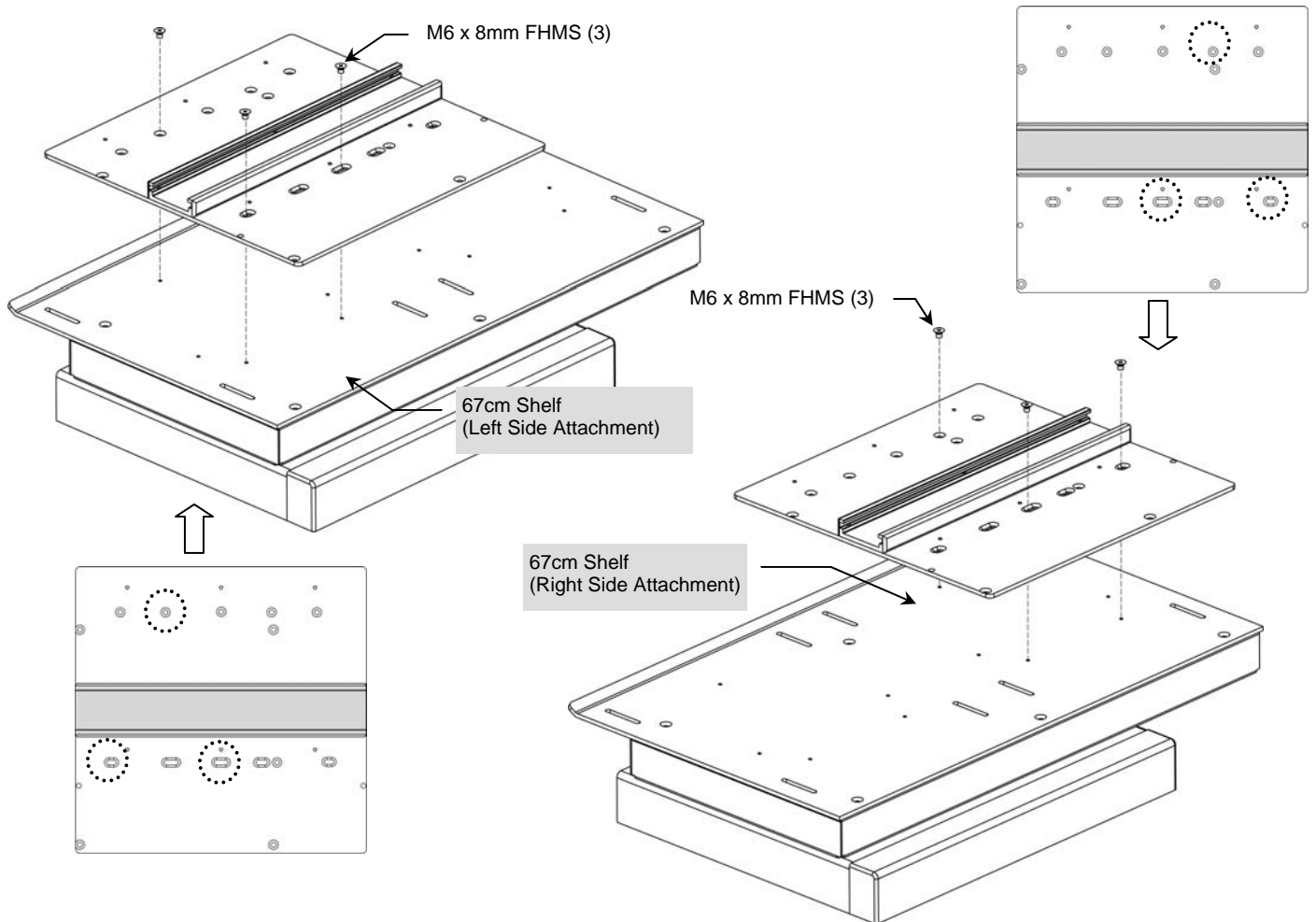
Attaching Horizontal Channel Plate to 47cm Shelf

Fasten the Horizontal Channel Plate to the 47cm shelf as shown below.



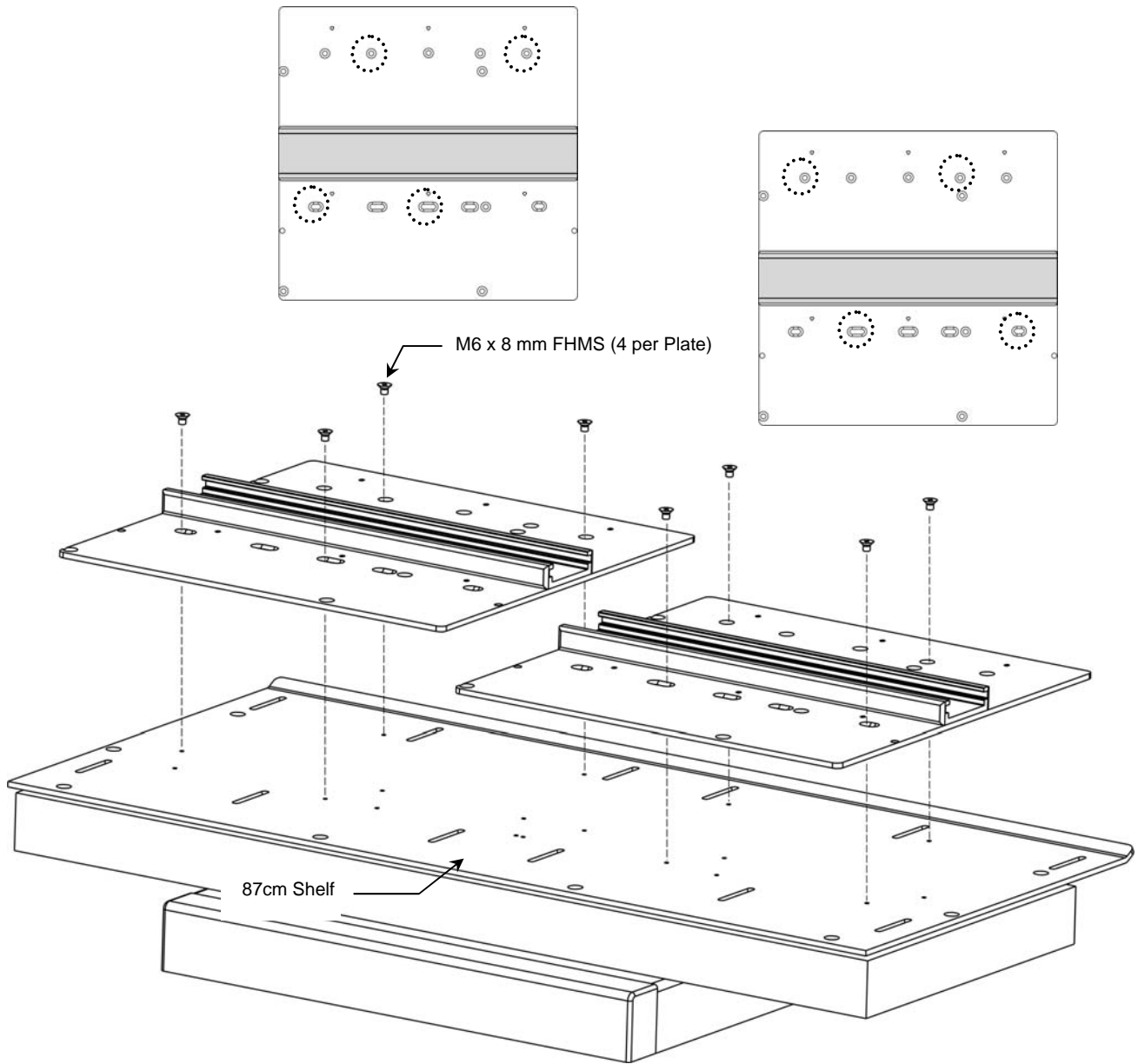
Attaching Horizontal Channel Plate to 67cm Shelf

One (1) Horizontal Channel Plate may be attached to either the left or right side of the 67cm shelf as shown below.



Attaching Horizontal Channel Plate to Single 87cm Shelf

Two (2) Horizontal Channel Plates may be attached to the 87cm shelf as shown below.



Attaching Horizontal Channel Plate to Dual 87cm Shelf

This procedure covers lower shelf attachment only. See page 3 for attaching Horizontal Channel Plates to the upper shelf.

Up to three (3) Horizontal Channel Plates may be attached to the dual 87cm shelf. Only one (1) Horizontal Channel Plate may be attached to the left side of the lower shelf as shown below. The right side of the lower shelf will not accommodate a Horizontal Channel Plate.

