

Installation Guide

16" M-Series Arm for Mounting Flat Panel Display on Anesthesia Machines

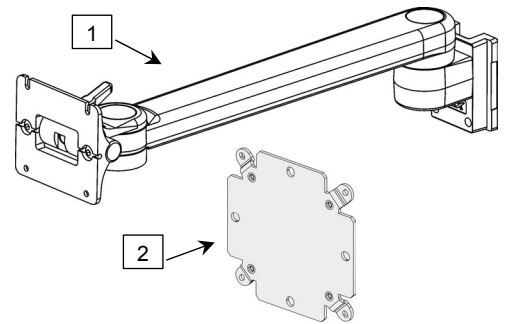
The purpose of this guide is to:

1. Describe mounting of M-Series Arm in Channel (page 1).
2. Describe adjustments to Arm (pages 2 - 3).

Parts Reference

The following parts and hardware are included in this installation kit (hardware may not be shown):

Item #	Description	Qty
1	M-Series Arm, 16" with VESA Mounting Plate	1
2	Display Mounting Kit, 75/100 mm VESA (includes instructions)	1
3	1/8" Hex Wrench	1
4	5/32" Hex Wrench	1
5	Wall Channel Cover, 16" (includes instructions)	1

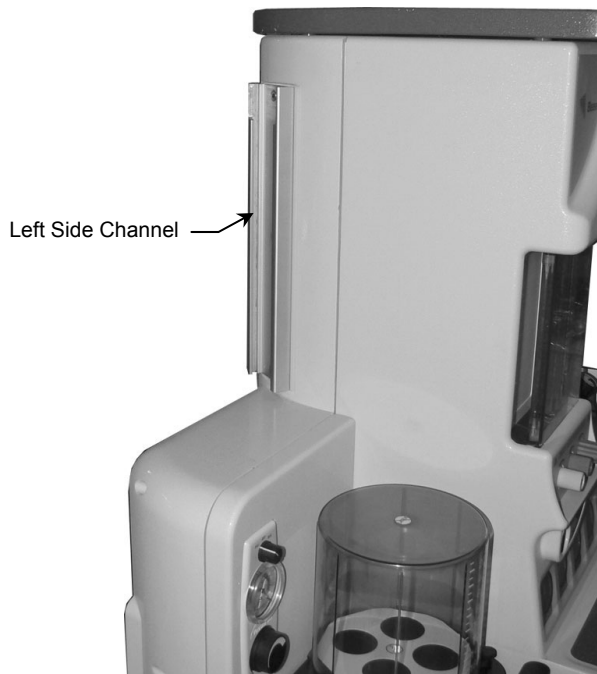


Tools Required

1/8" and 5/32" hex wrenches (provided), Phillips screwdriver (not provided).

Mounting M-Series Arm in Channel on Left Side of Anesthesia Machine

1. Install Arm by guiding Slide (rear of Arm) into top of Channel. Slide Arm to desired position in channel and tighten two (2) set screws (bottom of Slide) with the 1/8" hex wrench provided.



Mounting the Display

Mount the display in accordance with the installation guide (DU-FLP-0002-17) included with "Mounting Kit for 75/100mm VESA® Compatible Flat Panel Displays".



WARNING: This mounting kit provides an assortment of hardware for a wide variety of display-mounting applications. It is the responsibility of the installer of this product to ensure that all screws used to mount the display have a minimum thread engagement of four (4) 360° turns into threaded inserts in rear of display and into threaded inserts in VESA Mounting Adapter.

It is also the responsibility of the installer to ensure that screws are not inserted too far into the display, causing damage to internal components. Failure to adhere to this warning could result in damage to equipment or injury to patients or personnel.

Installing the Wall Channel Cover

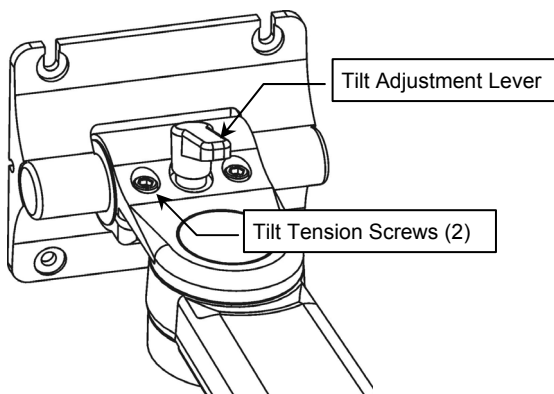
Install the Wall Channel Cover in accordance with the *Channel Cover Installation Guide (DU-UT-0001-20)*.

M-Series Arm Adjustments

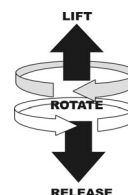
Adjusting Tilt and Tilt Tension

Tilt Adjustment: Turn Tilt Adjustment Lever counter clockwise to loosen. Lever provides ratchet-style adjustment (see **Installation Note** below). Grasp device and tilt to the desired angle. Turn Tilt Adjustment Lever clockwise (using ratchet feature as necessary) to tighten and lock position.

Tilt Tension: Adjust the overall tilting tension by equally tightening or loosening two (2) Tilt Tension Screws with the 5/32" hex key provided. Once tilt tension is set, use the Tilt Adjustment Lever to fine tune and lock the tilt position.

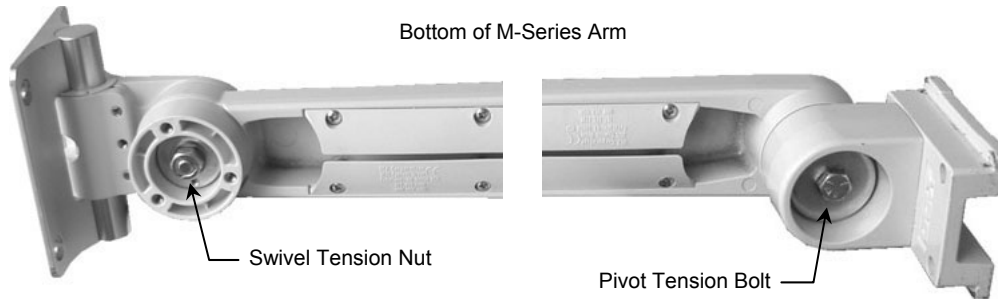


Installation Note: The Tilt Adjustment Lever is a multi-position clamping lever that operates by lifting, rotating, and releasing the handle.



Adjusting Swivel or Pivot Tension

Using a 1/2" [13 mm] socket wrench, tighten or loosen Swivel Tension Nut or Pivot Tension Bolt (see below).



Periodic Maintenance

All fasteners associated with the mounting system should be inspected periodically and tightened as necessary for optimal operation and safety.

Cleaning the Mounting Assembly

1. The mounting assembly may be cleaned with most mild, non-abrasive solutions commonly used in the hospital environment (e.g. diluted bleach, ammonia, or alcohol solutions).
2. The surface finish will be permanently damaged by strong chemicals and solvents such as acetone or trichloroethylene.
3. Steel wool or other abrasive material should never be used.
4. Damage caused by the use of unapproved substances or processes will not be warranted. We recommend testing of any cleaning solution on a small area of the arm that is not visible to verify compatibility.
5. Never submerge or allow liquids to enter the arm. Wipe any cleaning agents off the arm immediately using a water-dampened cloth. Dry the arm thoroughly after cleaning.

CAUTION: GCX makes no claims regarding the efficacy of the listed chemicals or processes as a means for controlling infection. Consult your hospital's infection control officer or epidemiologist. To clean or sterilize mounted devices or accessory equipment, refer to the specific instructions delivered with those products.