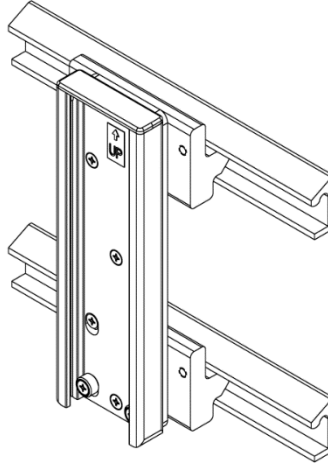


Installation Guide

9"/22.86cm Channel for Amico Majestic Series Double Tier Horizontal Headwall (6.5"/16.51cm Spacing)

Purpose: To describe mounting of GCX channel to Amico Tier Horizontal Headwall



The purpose of this manual is to describe general installation of GCX Channel to Amico Tier Horizontal Headwall. This manual should be used in conjunction with any instrument-specific installation guides. Please read this manual and all instrument-specific installation material before installing or using this product.

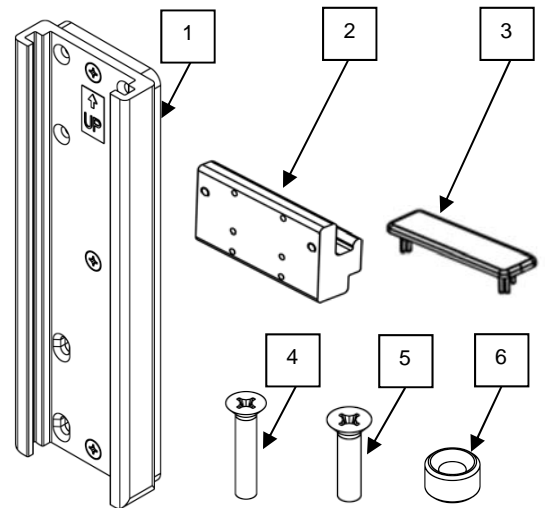


Warning: GCX makes no claim regarding the capacity of the horizontal rail to carry a load. Refer to Amico / Modular Services Installation Guides and weight limits for Tracks and Headwalls

Parts Reference

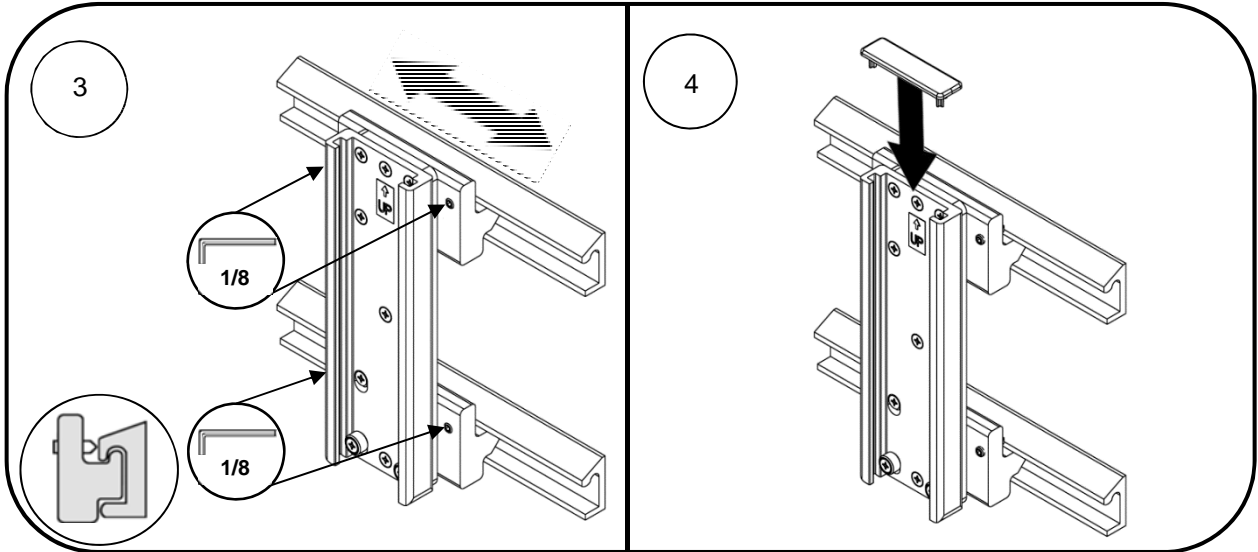
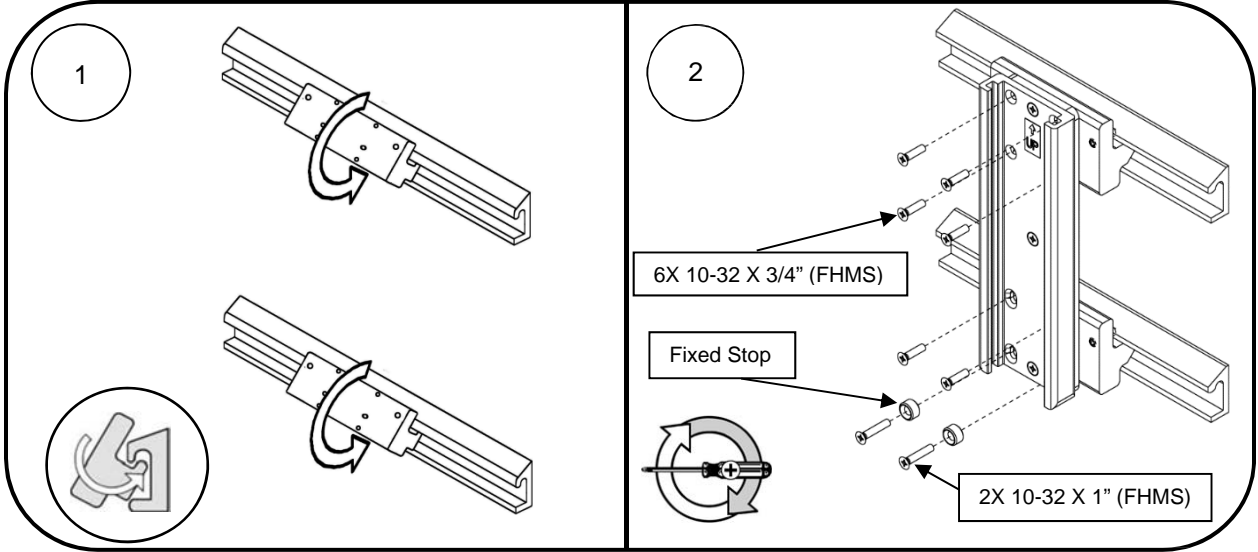
The following parts and hardware are included in this installation kit:
(Hardware not shown)

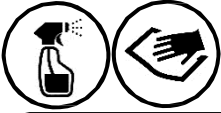
Item #	Description	Qty.
1	9"/22.86cm Channel	1
2	Amico Headwall Rail Insert	2
3	Channel Cap	1
4	10-32 x 1 Flat Head Machine Screw (FHMS)	2
5	10/32 x 3/4 Flat Head Machine Screw (FHMS)	6
6	Fixed Channel Stop	2



Tools Required:

- 1/8" Hex Wrench (Provided)
- Phillips screwdriver (Not provided)





Routine Maintenance



Periodically inspect all fasteners associated with the mounting assembly. Tighten or Adjust as necessary for optimal operation and safety.

Cleaning the Mounting Assembly

The mounting assembly may be cleaned with most mild, non-abrasive solutions commonly used in the hospital environment (e.g. diluted bleach, ammonia, or alcohol solutions).

The surface finish will be permanently damaged by strong chemicals and solvents such as acetone or trichloroethylene.

Steel wool or other abrasive material should never be used.

Damaged caused by the use of unapproved substances or processes will not be warranted. We recommend testing of any cleaning solution on a small area of the mounting assembly that is not visible to verify compatibility.

Never submerge or allow liquids to enter the mounting assembly. Wipe any cleaning agents off the mounting assembly immediately using a water-dampened cloth. Dry the assembly thoroughly after cleaning.

CAUTION: GCX makes no claims regarding the efficacy of the listed chemicals or processes as a means for controlling infection. Consult your hospital's infection control officer or epidemiologist. To clean or sterilize mounted devices or accessory equipment, refer to the specific instructions delivered with those products.