

## Installation Guide

### Dual Channel Mount Assembly for Amico Regal Headwall (Refer to qualified personnel)

**Purpose:**

To describe the installation of the Dual Channel Mount

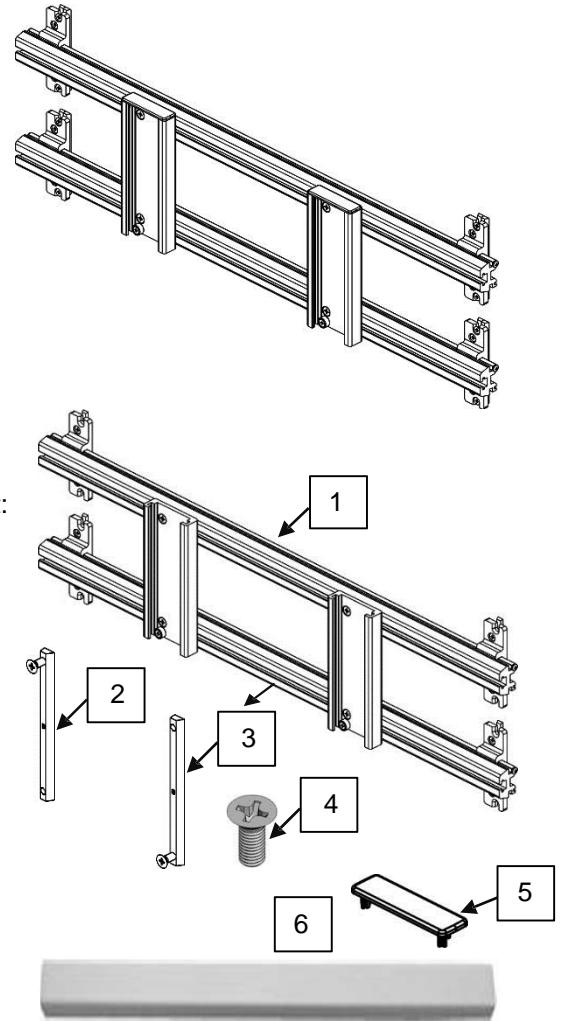
**Parts Reference**

The following parts and hardware are included in this installation kit:

Item #	Description	Qty
1	Dual Channel Mount Assembly	1
2	Dovetail B with Top Guide Screw	2
3	Dovetail B with Bottom Guide Screw	2
4	10-32 x 1/2" Flat Head Machine Screw (FHMS)	4
5	Channel End Cap	2
6	Spanner Rail Cover	4

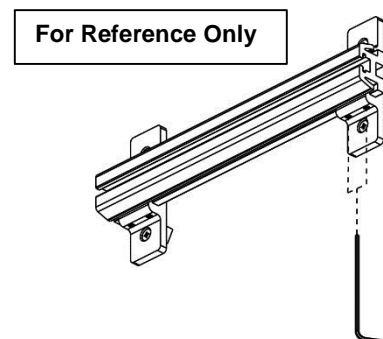
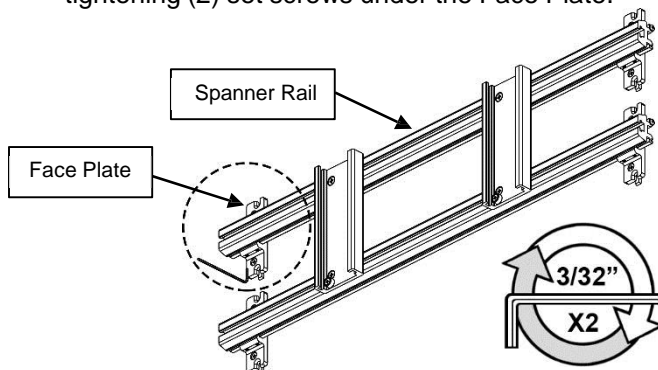
**Tools Required:**

- 3/32 Hex Wrench (provided)
- Phillips Screwdriver (not provided)
- Hacksaw (not provided)
- Level (not provided)

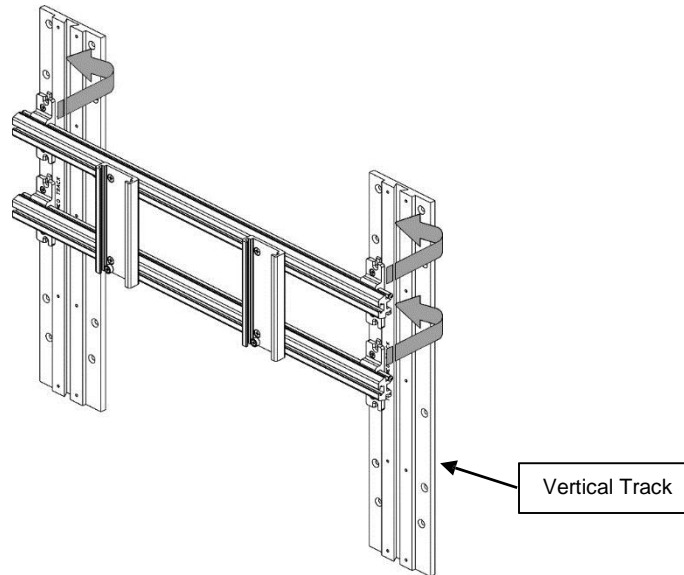


**Installing Dual Channel Mount Assembly onto Amico Regal Headwall**

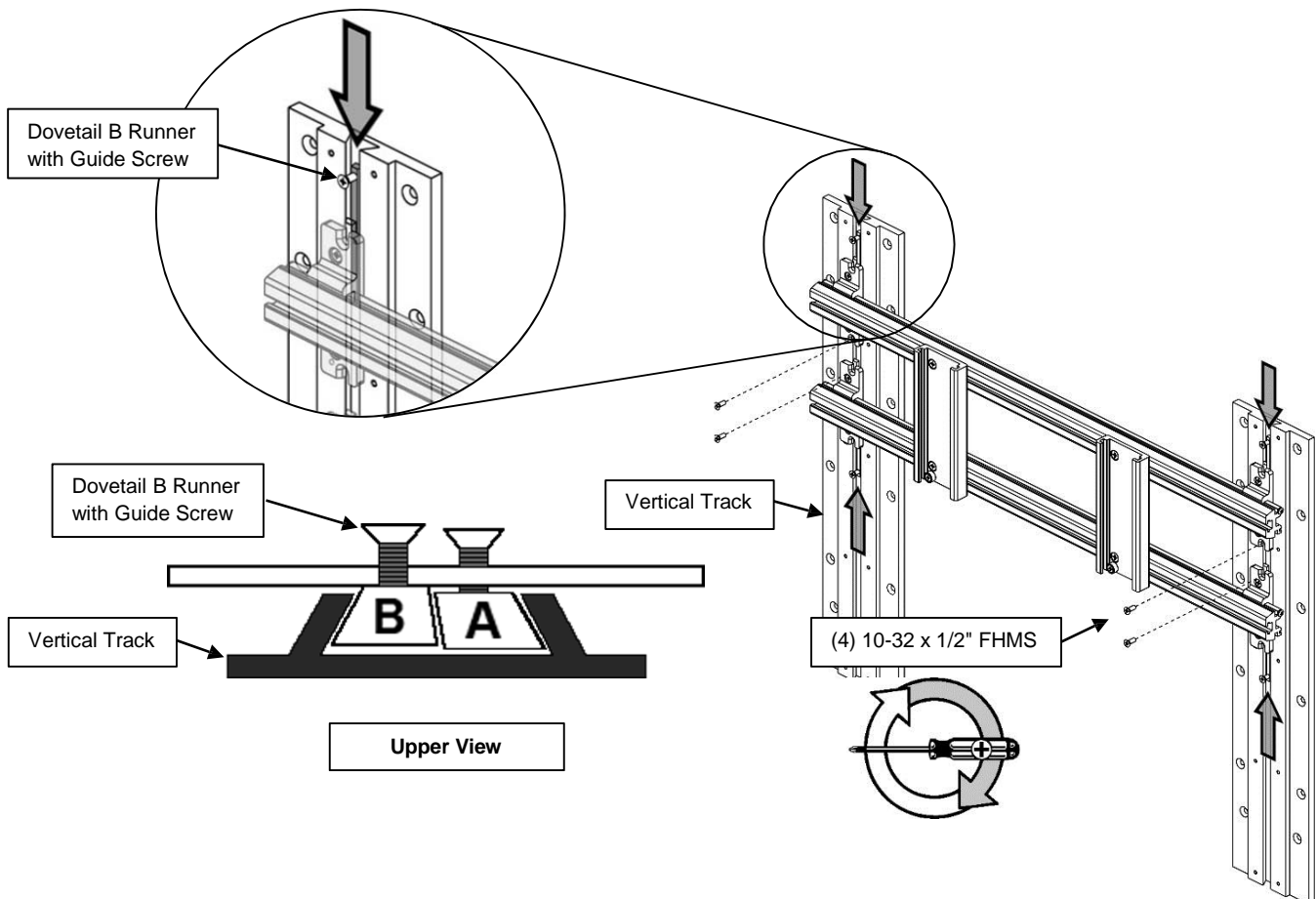
1. Using a 3/32 Hex Wrench, secure one Face Plate to Spanner Rail about one inch from the end by tightening (2) set screws under the Face Plate.



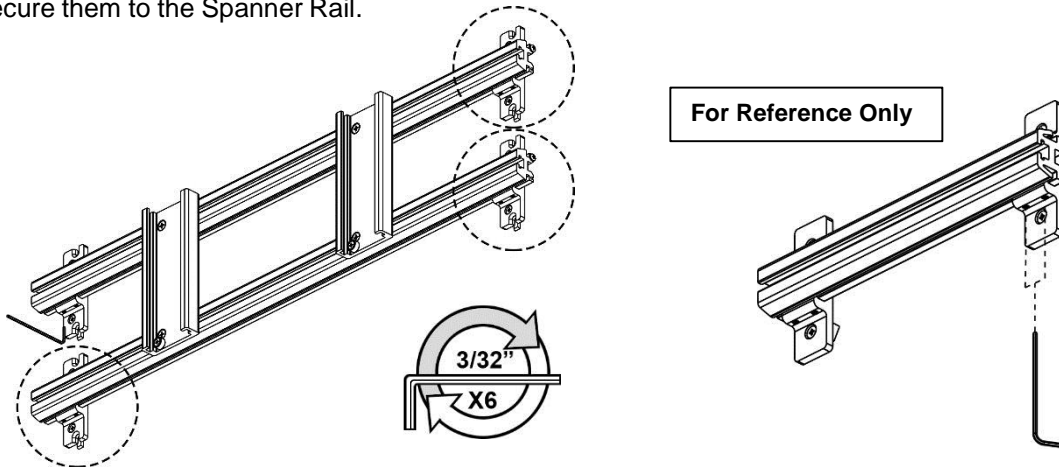
- Position Dual Channel Mount Assembly with attached Dovetail A Runners into Vertical Track as shown. Screws must be kept loose. A second person may be needed to hold Dual Channel Mount Assembly in place.



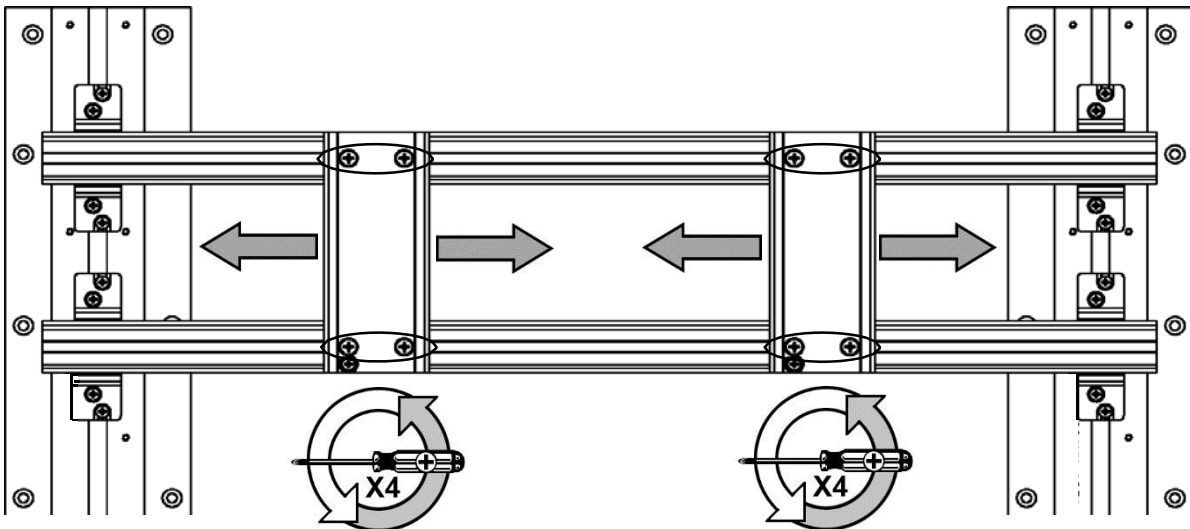
- One at a time starting with the secured Face Plate, insert the (4) Dovetail B Runners into Vertical Track and position the Guide Screw in Face Plate slot. Install (1) 10-32 x 1/2" FHMS on each of the Dovetail B Runners. Using a Phillips Screwdriver, alternately tighten the (16) Dovetail A and B Runner screws until assembly is secure. Note: Use a level to check if assembly is parallel with floor.



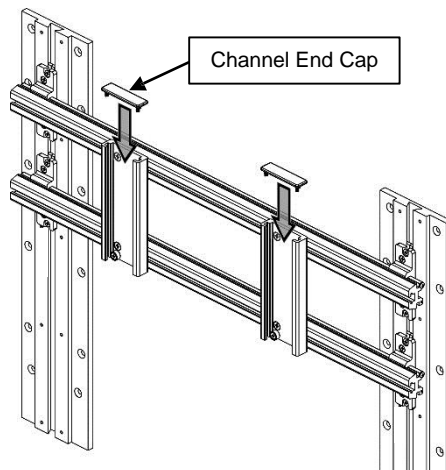
4. Using a 3/32 Hex Wrench, tighten the (2) set screws underneath the (3) remaining Face Plates to secure them to the Spanner Rail.



5. Using a Phillips Screwdriver, loosen (4) 1/4-20 x 5/8" FHMS per Channel and slide Channels along Spanner Rail to adjust horizontal position. Alternately tighten screws to secure in position.



6. After installation of device in Channel, Install Channel End Caps.



7. Using a hacksaw, cut Spanner Rail Covers to length and press Covers onto Spanner Rail until it snaps into place.



### **Routine Maintenance**

Periodically inspect all fasteners associated with the mounting assembly. Tighten or Adjust as necessary for optimal operation and safety.

### **Cleaning the Mounting Assembly**

1. The mounting assembly may be cleaned with most mild, non-abrasive solutions commonly used in the hospital environment (e.g. diluted bleach, ammonia, or alcohol solutions).
2. The surface finish will be permanently damaged by strong chemicals and solvents such as acetone or trichloroethylene.
3. Steel wool or other abrasive material should never be used.
4. Damaged caused by the use of unapproved substances or processes will not be warranted. We recommend testing of any cleaning solution on a small area of the mounting assembly that is not visible to verify compatibility.
5. Never submerge or allow liquids to enter the mounting assembly. Wipe any cleaning agents off the mounting assembly immediately using a water-dampened cloth. Dry the assembly thoroughly after cleaning.

**CAUTION:** GCX makes no claims regarding the efficacy of the listed chemicals or processes as a means for controlling infection. Consult your hospital's infection control officer or epidemiologist. To clean or sterilize mounted devices or accessory equipment, refer to the specific instructions delivered with those products.