

GCX Mounting Assembly Installation Guide

Philips MP40/50 Mounting Kit for Narcomed 6000



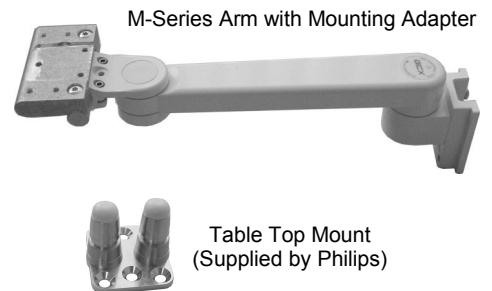
The purpose of this guide is to:

1. Describe attachment of left side vertical channel to anesthesia machine.
2. Describe attachment of Table Top Mount to MP60/70 Adapter.
3. Describe mounting of Arm in vertical channel.
4. Describe Operation and Adjustment of M-Series Arm.

Parts Reference

The parts list below includes only the parts and hardware that will be used in this installation procedure (see photos for parts; hardware not shown).

Item #	Description	Qty
1	Vertical Channel Kit (not shown – includes hardware and instructions)	1
2	M-Series Arm Assembly with Mounting Adapter	1
3	M6 x 8mm Flat Head Machine Screw (FHMS)	2
4	M6 x 12mm FHMS	1
5	Adjustable Stop	1
6	5/32" Hex Key	1
7	1/8" Hex Key	1
8	Wall Channel Cover, 16"	1



Tools Required: Phillips screwdriver, 5/32" and 1/8" hex keys (provided).



CAUTION – Before mounting the Arm:

1. Verify that the Channel has been installed and approved in accordance with the Channel Installation guides.
2. Ensure that the weight of the device being mounted does not exceed the load rating of your M-Series Arm. Check the "Max Load" rating label located on top of the arm at the Slide pivot point. It is not recommended that this arm be used for weights outside of this range.
3. If assistance is needed regarding an application, please contact a GCX product specialist at (800) 228-2555.

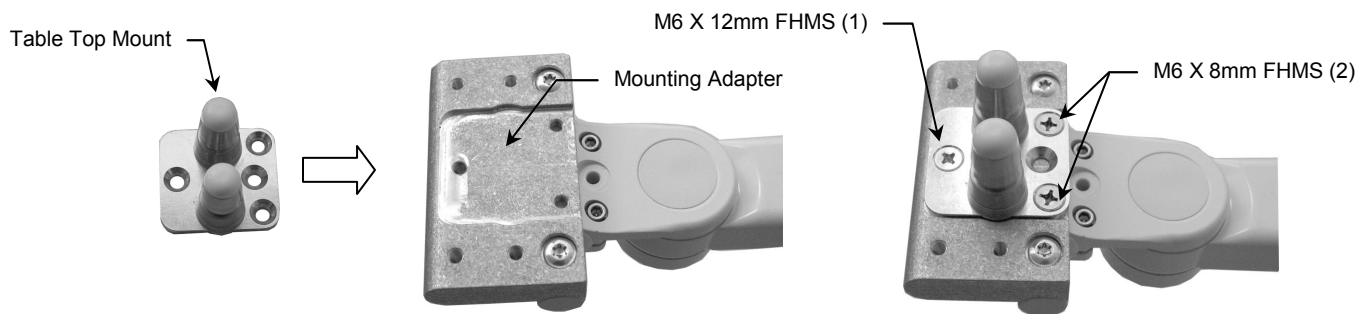
Attaching the Left Side Vertical Channel

Attach the Left Side Vertical Channel in accordance with separate GCX Mounting Assembly Installation Guide titled: *Dräger Narcomed 6000 Mounting Channel(s) Installation (DU-DR-0013-DM)*.

Attaching Philips Table Top Mount to Mounting Adapter

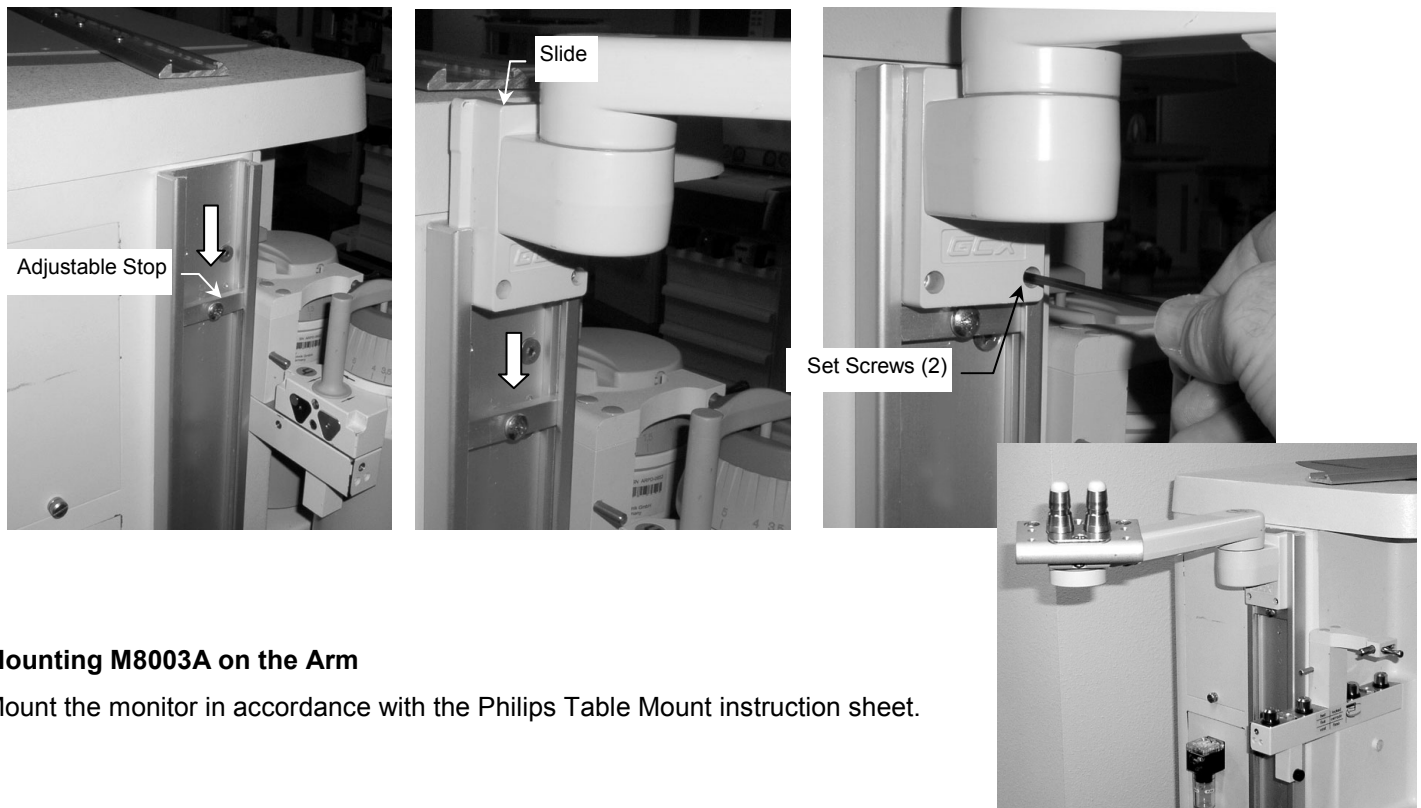
Installation Note: Table Top Mount is supplied by Philips.

1. Fasten Table Top Mount to Mounting Adapter on M-Series Arm with one (1) M6 x 12mm FHMS and two (2) M6 x 8mm FHMS (see below).



Mounting Arm in Side Channel

1. Insert Adjustable Stop in top opening of Channel and slide it to desired Arm-mounting position (below left). Tighten screw in center of Stop.
2. While supporting bottom of Arm, guide Slide (rear of Arm) into top of Channel (below center). Slide Arm to rest against Adjustable Stop and tighten two (2) set screws (bottom of the Slide) using 1/8" hex wrench provided (below right).



Mounting M8003A on the Arm

Mount the monitor in accordance with the Philips Table Mount instruction sheet.

Installing the 16" Wall Channel Cover

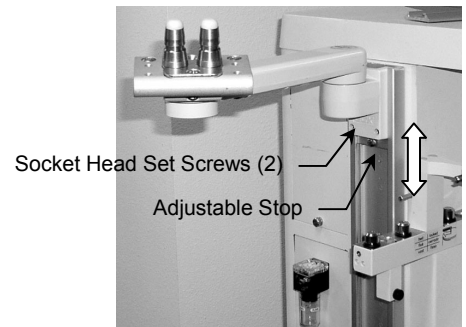
Install the Wall Channel Cover in accordance with the *Channel Cover Installation Guide (DU-UT-0001-20)*.

M-Series Arm Operation and Adjustment

Positioning Arm in Channel

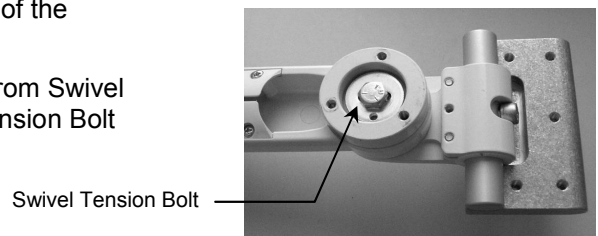
WARNING: Do not attempt to *remove* the Arm from the Channel while an instrument is mounted.

1. Loosen the center screw in the Adjustable Stop and slide the Stop to the new mounting position.
2. While supporting the weight of the mounted instrument, loosen the two (2) socket head set screws (SHSS) in the Slide. A 1/8" hex key is provided for this task. **Installation Note:** It may be necessary to dismount the instrument before adjusting the Arm in the Channel.
3. Push up or pull down at the end of the arm nearest the Slide. Tighten the set screws to secure the Arm in the Channel



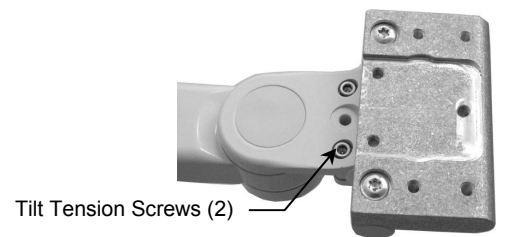
Swiveling the Mounted Instrument

1. To swivel the mounted instrument simply push or pull the corners of the instrument.
2. To adjust swivel tension, remove bolt cap or existing Down Post from Swivel Cup (bottom of front end of Arm). Tighten or loosen the Swivel Tension Bolt using a 1/2" [13 mm] socket driver.



Tilting the Mounted Instrument

1. To tilt the instrument, grasp the top and bottom of the instrument and tilt it to the desired angle.
2. To adjust tilt tension, equally tighten or loosen the two (2) Tilt Tension Screws using the supplied 5/32" hex key.



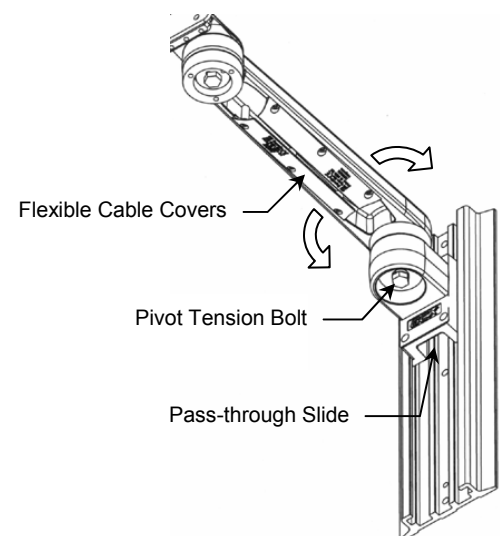
Pivoting the Arm

1. To pivot the Arm at the Slide, simply push on the side of the Arm or mounted instrument.
2. To adjust pivot tension, loosen or tighten the Pivot Tension Bolt using a 1/2" [13 mm] socket driver.

Cable Management

Two cable management features allow convenient placement and flow of cables:

1. An open cavity beneath the arm (with flexible cable covers) allows management of cables between the front and rear of the arm.
2. A "pass-through" channel at the rear of the slide allows cables to pass behind the arm within the Channel.
Note: If cable connectors are too large to fit through the pass-through, try placing the cables in the "pass-through" before installing the arm in the Channel. Contact GCX for optional Channel Covers available to further manage the flow of cables in the Channel.



Cleaning the Mounting Assembly

1. The mounting assembly may be cleaned with most mild, non-abrasive solutions commonly used in the hospital environment (e.g. diluted bleach, ammonia, or alcohol solutions).
2. The surface finish will be permanently damaged by strong chemicals and solvents such as acetone and trichloroethylene.
3. Do not use steel wool or other abrasive material to clean the mounting assembly.
4. Damage caused by the use of unapproved substances or processes will not be covered by warranty. We recommended that you test any cleaning solution on a small area of the arm that is not visible to verify compatibility.
5. Never submerge the arm, and do not allow liquids to enter the arm. Wipe any cleaning agents off of the arm immediately, using a water-dampened cloth. Dry the arm thoroughly after cleaning.

CAUTION: GCX makes no claims regarding the efficacy of the listed chemicals or processes as a means for controlling infection. Consult your hospital's infection control officer or epidemiologist. To clean or sterilize mounted instruments or accessory equipment, refer to the specific instructions delivered with those products.