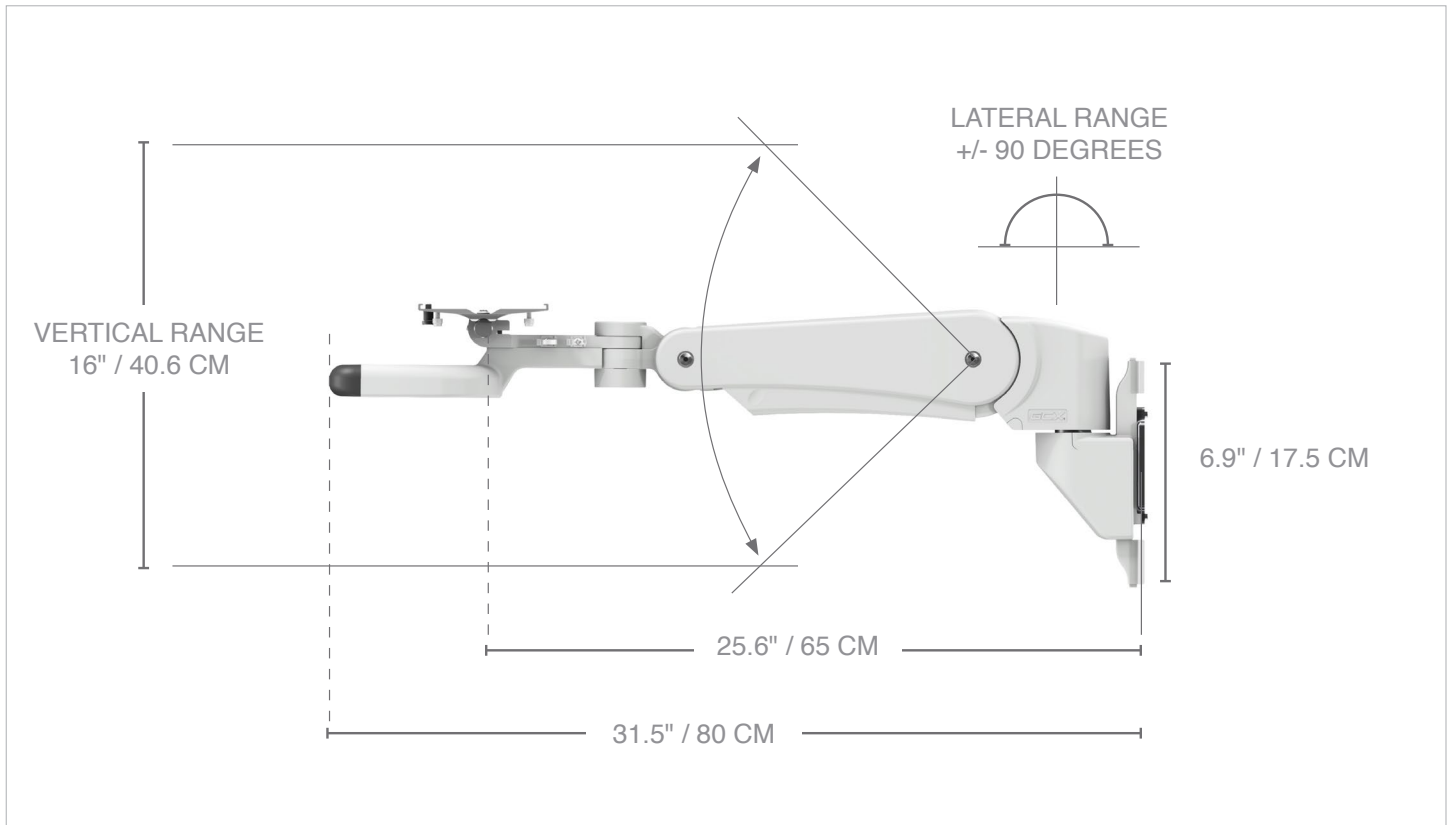


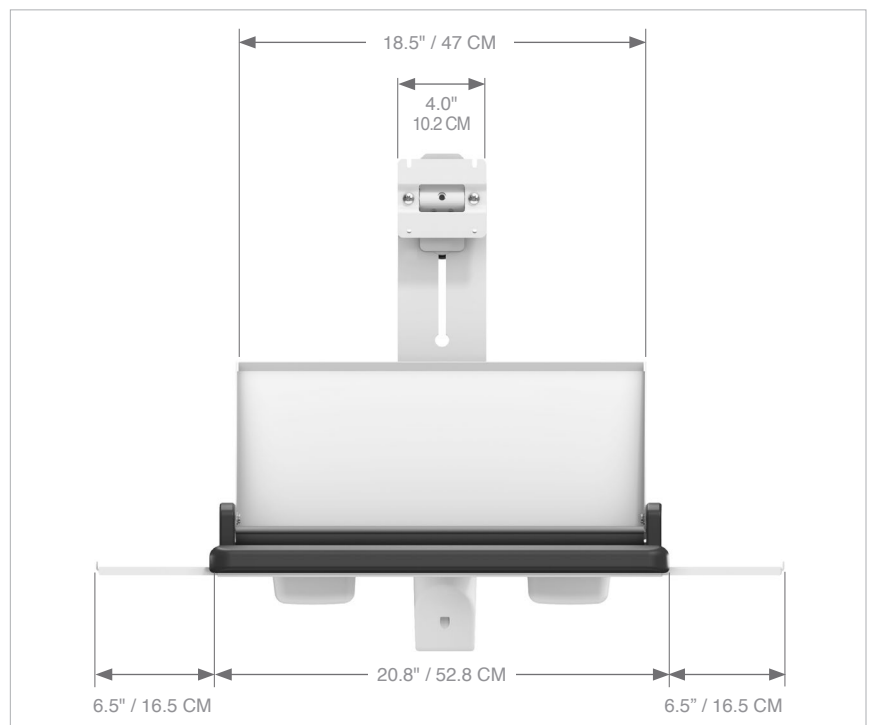
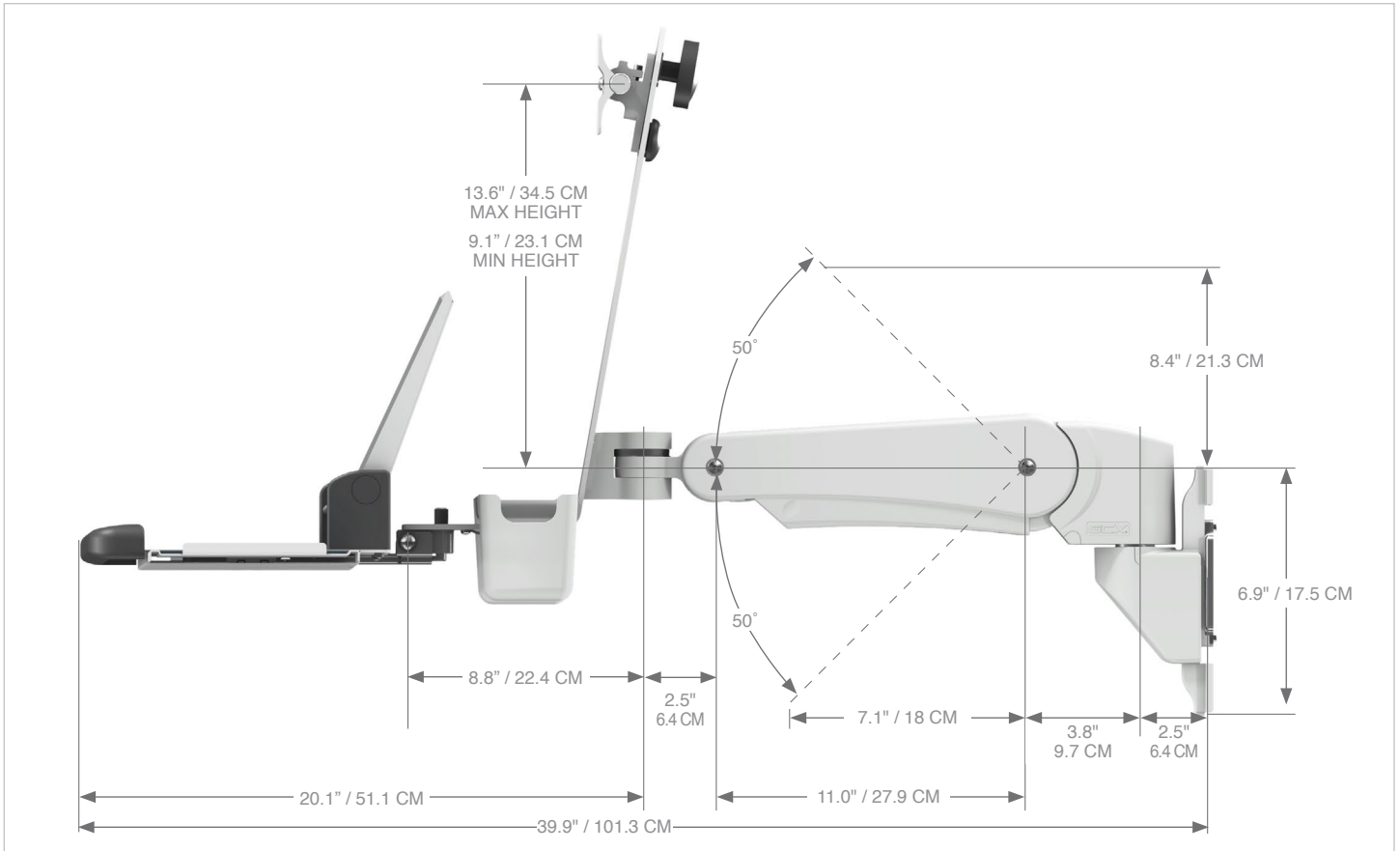
VHM-P and VHM-PL

VARIABLE HEIGHT ARM



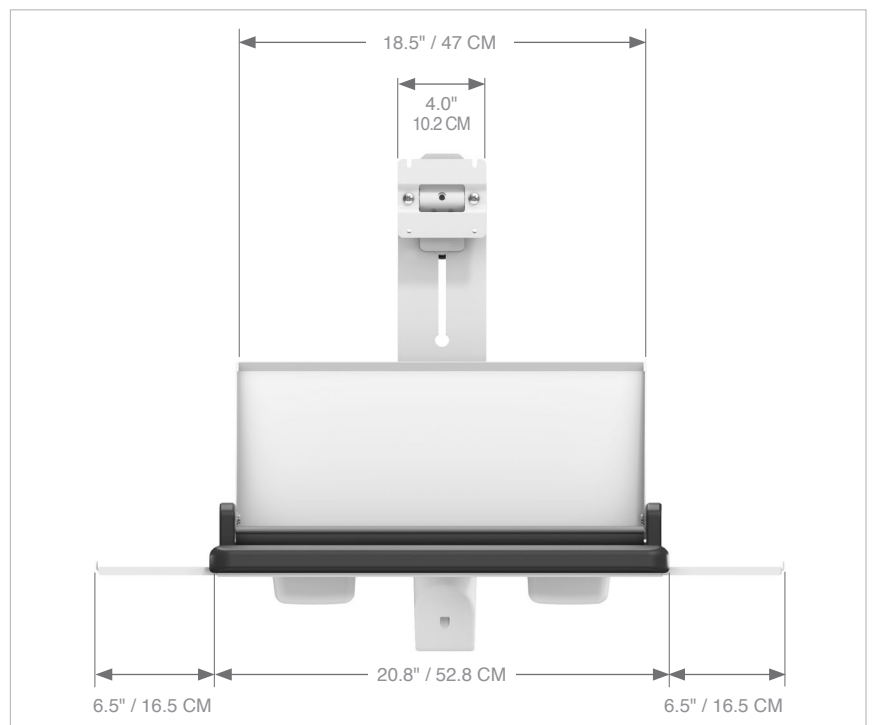
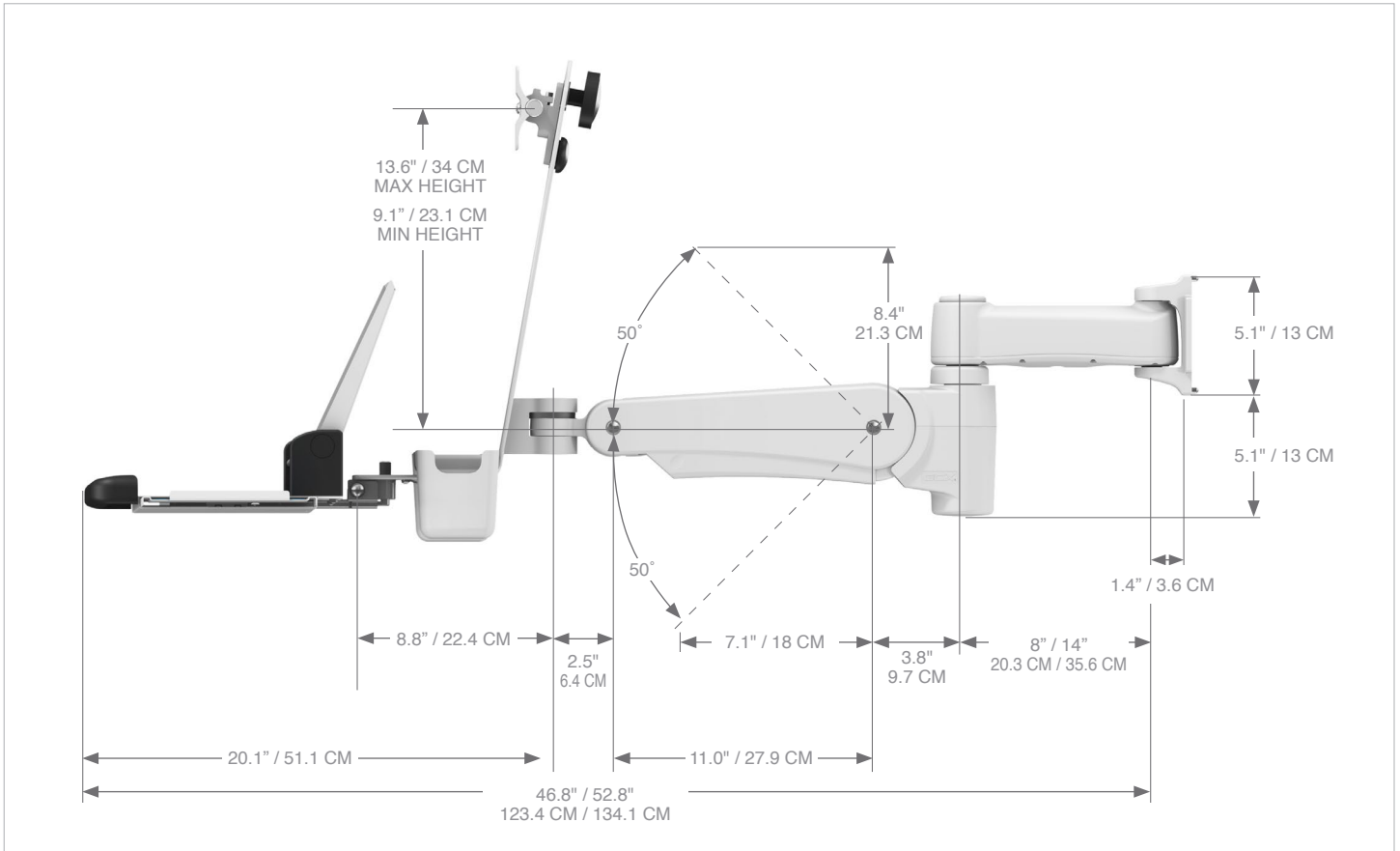
VHM-P

VARIABLE HEIGHT ARM WORKSTATION WITH MULTI-POSITION WORK SURFACE



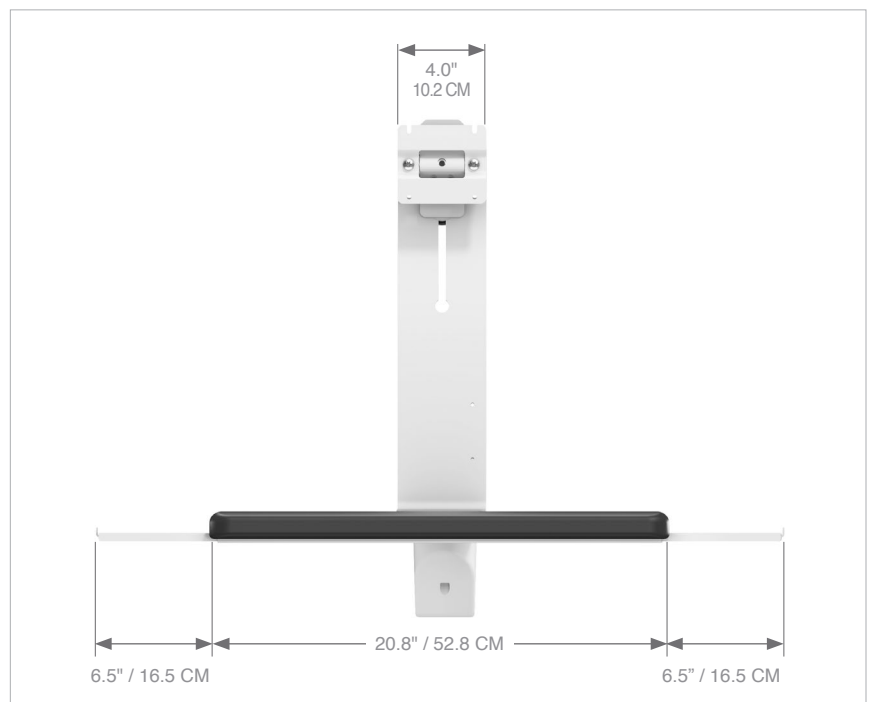
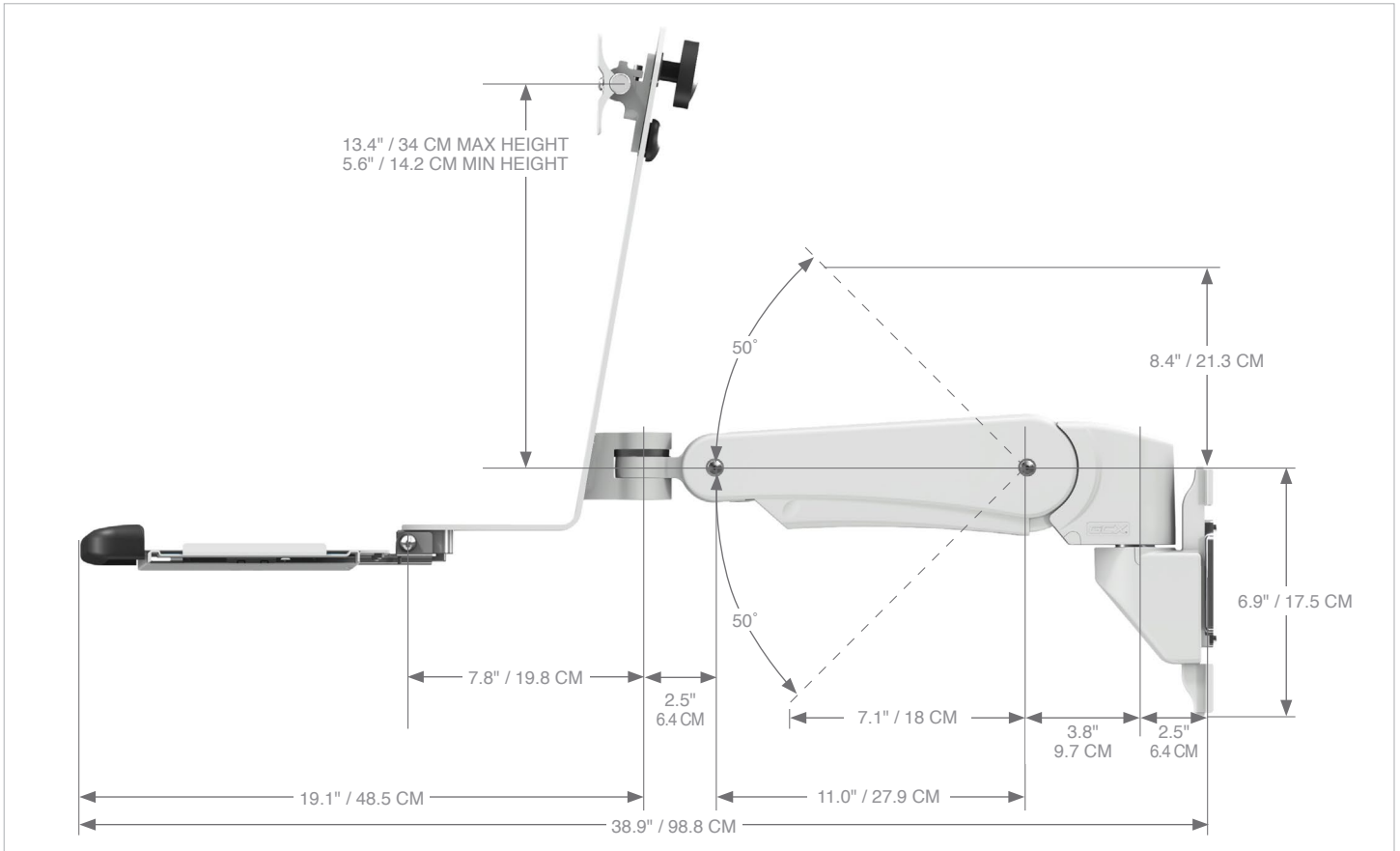
VHM-P with Extension

VARIABLE HEIGHT ARM WORKSTATION WITH MULTI-POSITION WORK SURFACE



VHM-P

VARIABLE HEIGHT ARM L BRACKET WORKSTATION



VHM-P with Extension

VARIABLE HEIGHT ARM WITH L BRACKET

