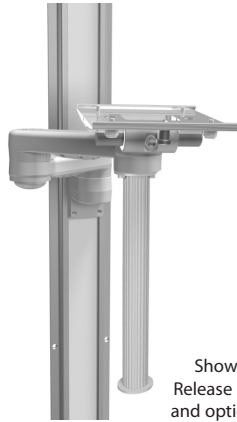


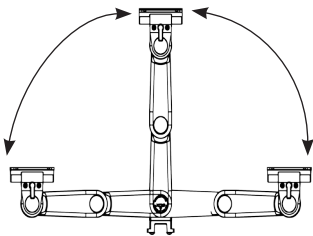
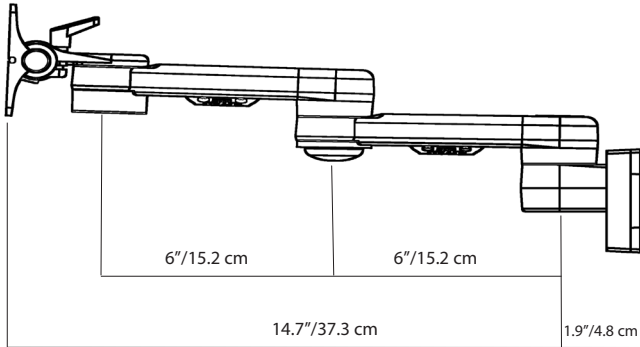
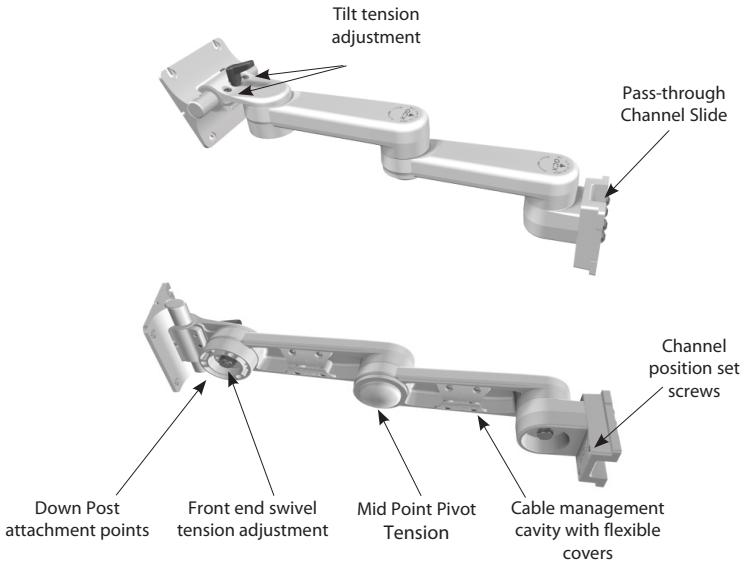
M Series™ - 8"/20.3 cm x 8"/20.3 cm Pivot Arm



Shown with 75 mm VESA Mounting Plate



Shown with Quick Release Mounting Plate and optional Down Post



GCX is an ISO 9001 registered company (TUV-Essen)

GCX, PolyMount and PolyQuip are registered trademarks of GCX Corporation. VHRC, VHRS, VHM, PRC, and M-Series are trademarks of GCX Corporation.

© Copyright 2010
MKT-0001-54 9/2010

M Series 8"/20.3 cm x 8"/20.3 Articulating Arm for Flat Panel Displays

- Articulating Arm offers swivel/tilt adjustments and three (3) pivot points for lateral adjustability
 - Front end tilt equals +/- 30 degrees
 - Cable management
 - VESA® FDMI™ 75/100 mm compatible
 - Tilt mechanism maximum load: 30 lbs/13.6 kg
 - Total arm maximum load: 30 lbs/13.6 kg
 - Product weight: 4 lbs/1.8 kg
- NOTE: Channel sold separately

M Series 8"/20.3 cm x 8"/20.3 Articulating Pivot Arm with Quick Release Mounting Plate

- Articulating Arm offers swivel/tilt adjustments and three (3) pivot points for lateral adjustability
 - Front end tilt equals +25/-5 degrees when mounting plate is in the horizontal position
 - Cable management
 - 5"/12.7 cm quick release slide-in mounting adapter for Rear or bottom mounted devices
 - Tilt Mechanism Maximum Load: 30 lbs/13.6 kg
 - Total arm maximum load: 30 lbs/13.6 kg
 - Product weight: 4 lbs/1.8 kg
- NOTE: Channel sold separately

Optional Down Post

6"/15.2 cm Fluted Down Post

12"/30.5 cm Fluted Down Post

18"/45.7 cm Fluted Down Post