

VHM™ Variable Height Mount with Extension

- Provides lateral positioning, extension, gas spring-assisted height adjustment, and swivel/tilt adjustments for optimal viewing angle
- Features a parallel linkage for constant viewing angle throughout the vertical range of motion
- Vertical motion range: 16"/40.6 cm total travel
- Lateral motion range (from perpendicular to the wall) +/- 90 degrees
- VESA® FDMI™ 75/100 mm compatible
- Maximum Load: 30 lbs/13.6 kg

Rear Extension Features:

- Folds flush for minimal foot print while stowed
- Dual pivoting extension is ideal for obtaining additional reach and allows fold over feature
- Cable management

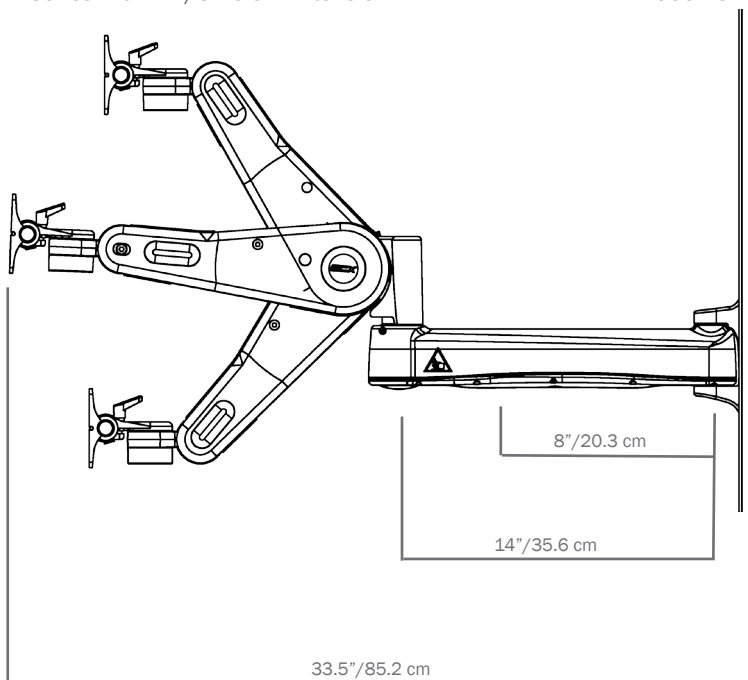
Channel sold separately

VHM Series with 8"/20.3 cm Extension

FLP-0001-33

VHM Series with 14"/35.6 cm Extension

FLP-0001-34



3875 Cypress Drive
Petaluma, California 94954-5635
United States
800-228-2555
707-773-1100 outside US
707-773-1180 fax

Postbus 10462
5000 JL Tilburg
Netherlands
+31 (0) 88 627 2600
+31 (0) 88 627 2609 fax

No. 7, Lane 116, Wugong 3rd Road
Wugu Township, Taipei County 248
Taiwan (R.O.C.)
+01 707-773-1100
+01 707-773-1180 fax

gcx.com
one tool. one source.