

# VHM Series

## Variable Height Mount (VHM™) for Monitors

FLP-0001-13

- Minimum load: 5 lbs/2.3 kg
- Maximum load: 30 lbs/ 13.6 kg
- Provides lateral positioning, extension, gas spring-assisted height adjustment, and swivel/tilt adjustments for optimal viewing angle
- Features a parallel linkage for constant viewing angle throughout the vertical range of motion
- Vertical motion range: 16"/40.6 cm total travel
- Lateral motion range (from perpendicular to the wall) +/- 90 degrees

NOTE: Channel sold separately



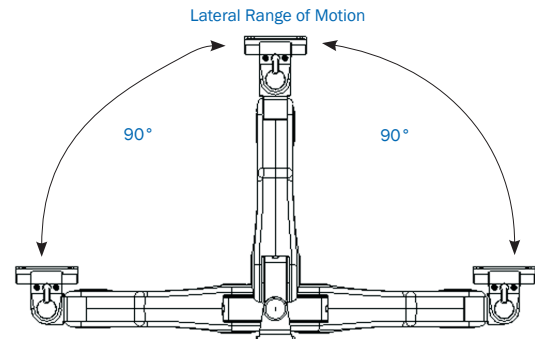
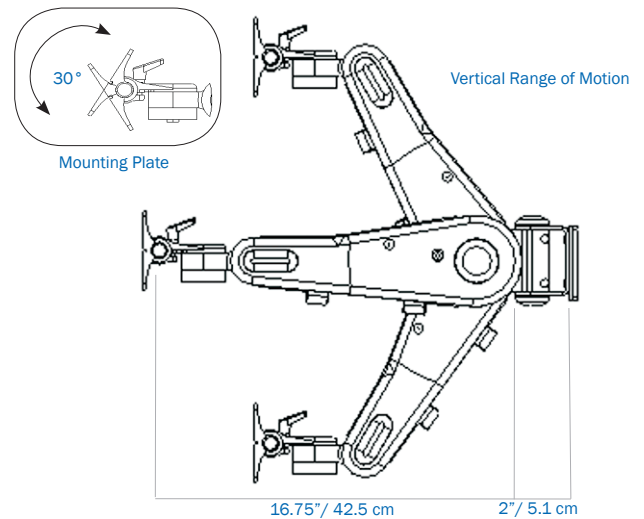
VHM Variable Height Arm

## Variable Height Mount for Monitors

FLP-0006-13

- Minimum load: 22 lbs/10 kg
- Flat panel maximum load: 30 lbs/13.6 kg
- Total arm maximum load: 40 lbs/18.2 kg
- Provides lateral positioning, extension, gas spring-assisted height adjustment, and swivel/tilt adjustments for optimal viewing angle
- Features a parallel linkage for constant viewing angle throughout the vertical range of motion
- Vertical motion range: 16"/40.6 cm total travel
- Lateral motion range (from perpendicular to the wall) +/- 90 degrees

NOTE: Channel sold separately



3875 Cypress Drive  
Petaluma, California 94954-5635  
United States  
800-228-2555  
707-773-1100 outside US  
707-773-1180 fax

Postbus 10462  
5000 JL Tilburg  
Netherlands  
+31 (0) 88 627 26 00  
+31 (0) 88 627 26 09 fax

No. 7, Lane 116, Wugong 3rd Road  
Wugu Township, Taipei County 248  
Taiwan (R.O.C.)  
+01 707-773-1100  
+01 707-773-1180 fax

gcx.com  
one tool. one source.