

## Horizontal Rail Mounting Solutions - M Series Pivot Arm

**For rails 8-10 mm x 25-40 mm**

Slide-on Mounting Plate compatible

8" (20.3 cm) GCX P/N: WMM-0002-09  
 12" (30.5 cm) GCX P/N: WMM-0002-08  
 16" (40.5 cm) GCX P/N: WMM-0002-11

VESA® FDMI™ 75/100 mm compatible

8" (20.3 cm) GCX P/N: FLP-0009-13  
 12" (30.5 cm) GCX P/N: FLP-0009-14  
 16" (40.5 cm) GCX P/N: FLP-0009-15

- Pivot at the rail for lateral adjustability
- 180° nominal lateral pivot range<sup>1</sup>
- Smooth tilt and swivel adjustments at the front end with adjustable tension
- (2) M8 "leveling" screw lengths included: 2.63" (6.8 cm) and 7.5" (19 cm) to accommodate wall spacing 10-40mm and 10-160mm
- 60 lbs. (27.2 kg) Arm / 30 lbs. (13.6 kg) Tilt duty ratings<sup>2</sup>
- Cable management:
  - Cavity in the bottom of the arm with flexible covers
  - Optional dual hook (mounts below front-end)
- Powder coat durable paint finish
- Optional down post or hanger attachments

<sup>1</sup> Arm length and/or device size may limit lateral pivot range

<sup>2</sup> Based on front-end continuous tilt adjustment. Also, refer to duty rating of rail for maximum weight capability.

**GCX® offers a complete range of mounting solutions. Please contact us or visit [www.gcx.com](http://www.gcx.com) for additional information.**



3875 Cypress Drive  
 Petaluma, CA 94954-5635  
 707.773.1100  
 800.228.2555 US/CAN  
 Fax: 707.773.1180  
 E-mail: [sales@gcx.com](mailto:sales@gcx.com)  
[www.gcx.com](http://www.gcx.com)

GCX is an ISO9001 registered company.



GCX, PolyMount and PolyQuip are registered trademarks of GCX Corporation.

© Copyright 2006

01/06-1



Pivot arm with Slide-on mounting plate

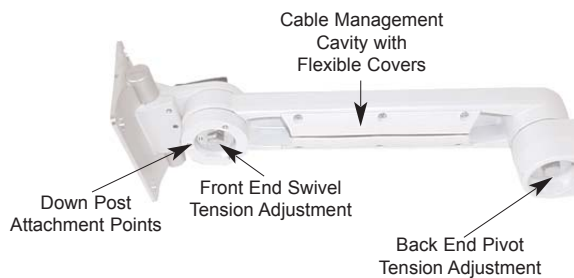


Pivot arm with 75mm VESA mounting plate



Tilt Tension Adjustment

Rear Pivot Point

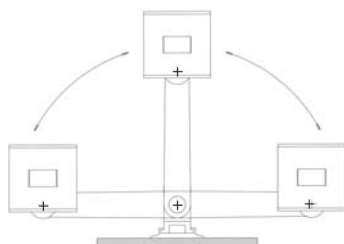
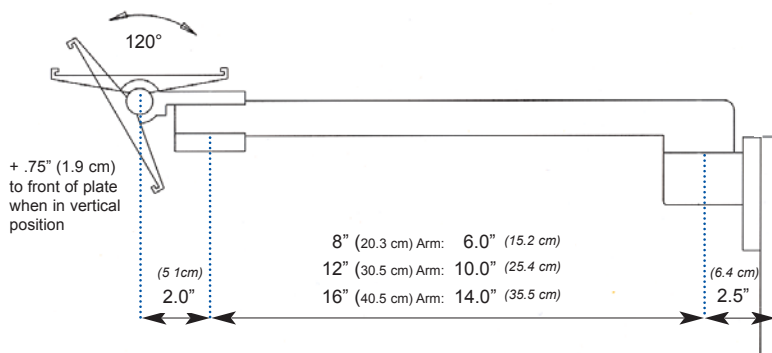


Cable Management Cavity with Flexible Covers

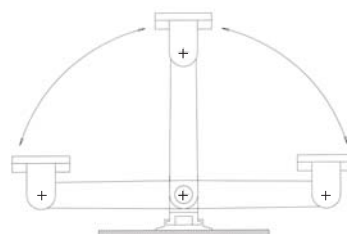
Down Post Attachment Points

Front End Swivel Tension Adjustment

Back End Pivot Tension Adjustment



Lateral Range of Motion Horizontal Mounting Plate



Lateral Range of Motion Vertical Positioned Mounting Plate