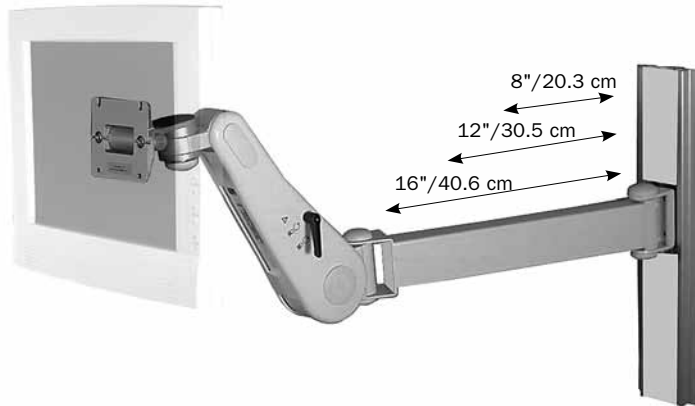


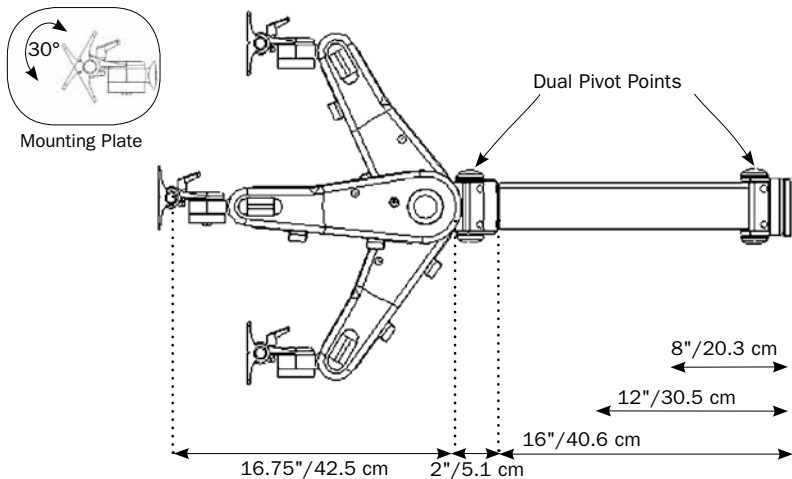
Information System Component Wall Mounting Solutions – VHM™

VHM with Extension

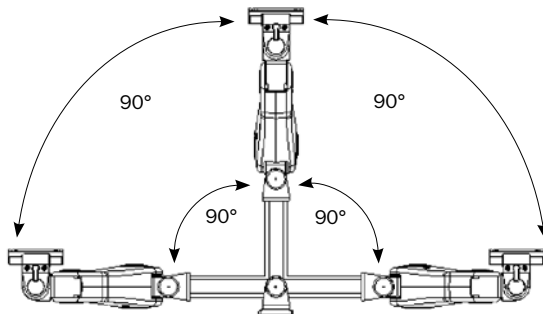


Provides extension from the mounting surface for easier access and a wider range of motion. The extension pivots at the channel and where it attaches to the VHM arm. Extension lengths available: 8"/20.3 cm, 12"/30.5 cm, and 16"/40.6 cm (shown).

Vertical Range of Motion



Lateral Range of Motion



VHM Variable Height Mount with 8"/20.3 cm Extension for Flat Panel Displays (30 lbs/13.6 kg Max.)
FLP-0001-14

VHM Variable Height Mount with 12"/30.5 cm Extension for Flat Panel Displays (30 lbs/13.6 kg Max.)
FLP-0001-80

VHM Variable Height Mount with 16"/40.6 cm Extension for Flat Panel Displays (30 lbs/13.6 kg Max.)
FLP-0001-81

- Provides lateral positioning, extension, gas spring-assisted height adjustment, and swivel/tilt adjustments for optimal viewing angle
 - Dual pivoting extension is ideal for obtaining additional reach or clearance for access
 - Features a parallel linkage for constant viewing angle throughout the vertical range of motion
 - Vertical motion range +/- 60 degrees with 17"/43.2 cm total travel
 - Lateral motion range (from perpendicular to the wall) +/- 90 degrees
 - VESA® FDMI™ 75/100 mm compatible
 - Optimal weight range: 5 - 22 lbs/2.3 - 10 kg
 - Total arm maximum load: 30 lbs/13.6 kg
- NOTE: Channel sold separately

VHM Variable Height Mount with 8"/20.3 cm Rear Extension Arm for Flat Panel (40 lbs/18.2 kg Max.)
FLP-0006-15

VHM Variable Height Mount with 12"/30.5 cm Rear Extension Arm For Flat Panel (40 lbs/18.2 kg Max.)
FLP-0006-17

VHM Variable Height Mount with 16"/40.6 cm Rear Extension Arm for Flat Panel (40 lbs/18.2 kg Max.)
FLP-0006-19

- Provides lateral positioning, extension, gas spring-assisted height adjustment, and swivel/tilt adjustments for optimal viewing angle
 - Dual pivoting extension is ideal for obtaining additional reach or clearance for access
 - Features a parallel linkage for constant viewing angle throughout the vertical range of motion
 - Vertical motion range +/- 60 degrees with 17"/43.2 cm total travel
 - Lateral motion range (from perpendicular to the wall) +/- 90 degrees
 - VESA® FDMI™ 75/100 mm compatible
 - Optimal weight range: 22 - 40 lbs/10 - 18.2 kg
 - Flat panel maximum load: 30 lbs/13.6 kg
 - Total arm maximum load: 40 lbs/18.2 kg
- NOTE: Channel sold separately



GCX is an ISO 9001 registered company (TUV-Essen)
GCX, VHRC, VHRS, VHM, PRC, M-Series, PolyMount and PolyQuip are trademarks of GCX Corporation.
© Copyright 2010
MKT-0001-07 2/2010