

## Installation Guide

### VHRC Rear Column Mounting Plate – Baskets and CPU Mounts

The purpose of this guide is to:

1. Describe installation of the Mounting Plate to the rear of the VHRC column assembly
2. Describe installation of a GCX basket or CPU mount to the Mounting Plate

### Parts Reference

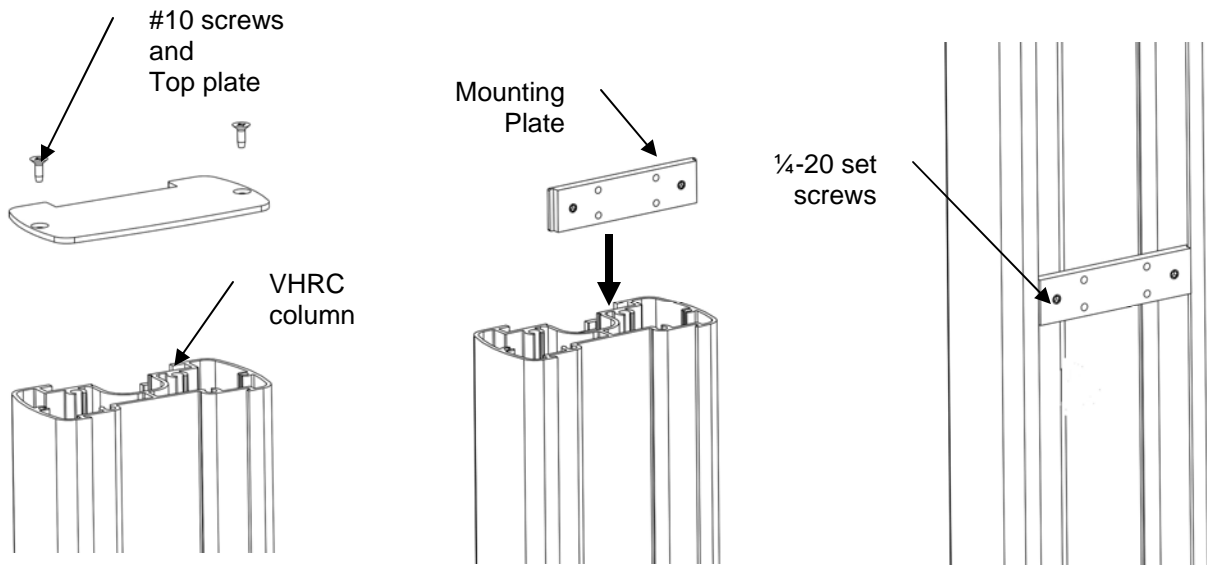
The parts list below includes parts and hardware that will be used in this installation procedure (see images below for parts and hardware). The GCX Basket and CPU Clamp have parts lists/instructions included within their packages.

Item #	Description	Qty
1	VHRC Rear Column Mounting Plate	1
2	1/8" hex wrench	1
3	10-32 X 1/2" PHMS (for basket installation)	4
4	10-32 x 1/2" FHMS (for CPU clamp installation)	4

**Tools Required:** Philips screwdriver, 1/8" hex wrench (supplied with cleat)

### Installing Mounting Plate to column rear track

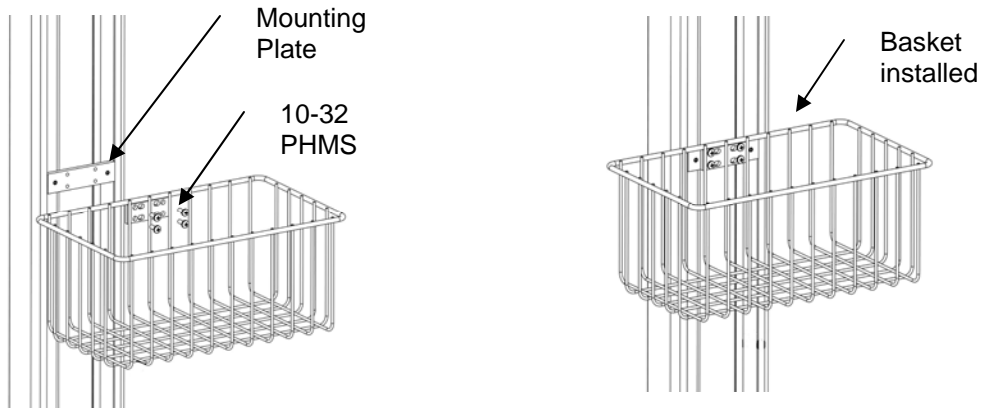
1. Remove two #10 screws and top plate from VHRC column, retain parts.
2. Align Mounting Plate with rear track on VHRC column, slide Cleat into track as shown.
3. Slide Mounting Plate into desired position and secure by tightening the 1/4-20 set screws.
4. Replace the top plate using the #10 screws from step #1.



### Installation of GCX wall mount basket to Rear Column Mounting Plate

Note: Mounting Plate will only accommodate GCX wall mount baskets

1. Remove GCX plastic slide from basket assembly, discard slide and screws.
2. Using the 10-32 PHMS (supplied with Mounting Plate) attach the basket to plate as shown.



### Installation of GCX CPU Clamp to Rear Column Mounting Plate

Note: Mounting Plate will only accommodate GCX wall mount CPU clamp p/ns WM-0007-40 and WM-0007-41.

1. Remove knobs and front plate from CPU clamp assembly, then remove GCX plastic slide, discard slide and screws.
2. Position Mounting Plate low in column near base as shown, weight of CPU will improve the stability of cart.
3. Using the 10-32 FHMS (supplied with Mounting Plate) attach the rear CPU Clamp bracket to plate as shown.
4. Install the front CPU Clamp plate with the knobs from step #1, install CPU per CPU Clamp Instructions.

