

## GCX Mounting Assembly Installation Guide

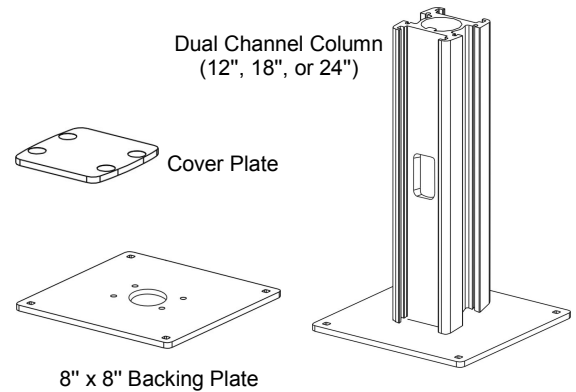
### Dual Channel Counter Top Mount (12", 18", or 24" Column)

The purpose of this guide is to describe mounting of the Dual Channel Mount on a counter top.

#### Parts Reference

The parts list below includes the parts and hardware that will be used in this installation procedure (see illustrations for parts; hardware may not be shown).

Item #	Description	Qty
1	Column, Dual Channel	1
2	Backing Plate, 8" x 8"	1
3	1/4-20 x 1-3/4" Carriage Bolt	4
4	1/4-20 x 3/4" Carriage Bolt	4
5	1/4" Flat Washer	4
6	1/4-20 Kep Nut	4
7	Cover Plate	1
8	1/4-20 x 1" Flat Head Socket Cap Screw (FHSCS)	4
9	5/32" Hex Key	1



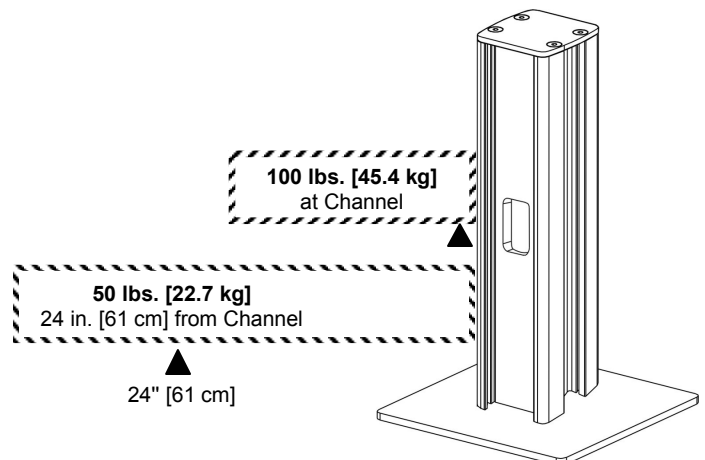
**Tools Required:** Drill, 17/64" drill bit, 1-1/2" to 2.0" hole saw, 7/16" wrench, and 5/32" hex key (provided).



#### WARNING:

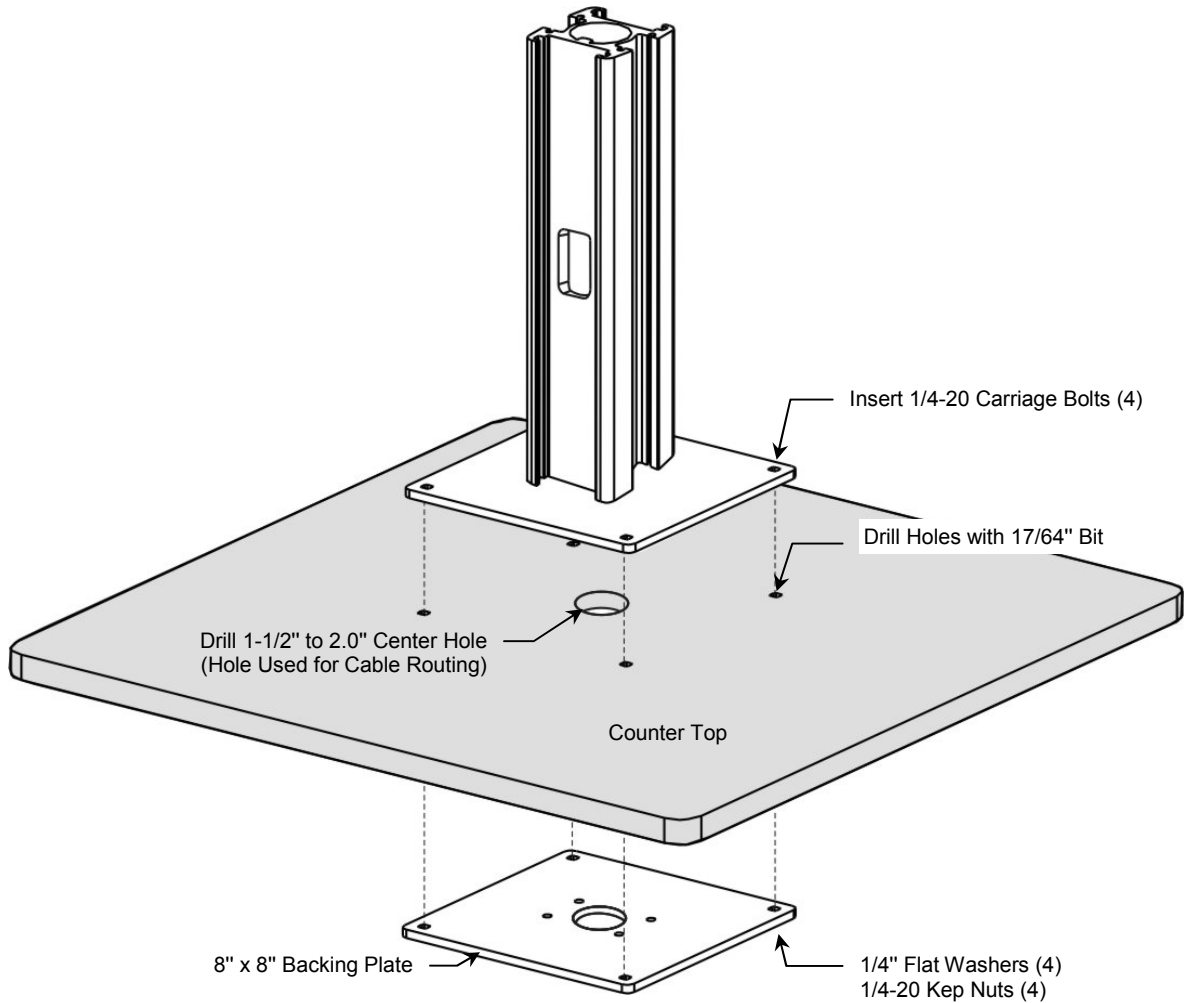
It shall be the responsibility of the installer to determine whether the counter top surface will support the weight of the Mount and any mounted instruments or accessories.

The Dual Counter Top Mount has a maximum load capacity of 100 lbs. [45.4 kg] when the load is mounted at or near the Channels. Load capacity decreases as the load is extended laterally from the Mount. Maximum load capacity is 50 lbs. [22.7 kg] at 24" [61cm] from the Channels. These limits apply to all lengths of Mounts (12", 18", or 24"). Do not exceed the weight limits shown below.



## Mounting the Dual Channel Mount on a Counter Top

1. Refer to illustration below. Using the Base Plate as a template, drill four (4) holes in the counter top with a  $17/64$ " drill bit. Using the Backing Plate as a template, drill a  $1-1/2$ " to  $2.0$ " diameter center hole with hole saw.
2. Refer to illustration below. Fasten Mount to counter top with four (4)  $1/4-20$  carriage bolts, one (1)  $8$ " x  $8$ " Backing Plate, four (4)  $1/4$ " flat washers, and four (4)  $1/4-20$  kep nuts. Carriage Bolts are inserted through the Base Plate from the top.



## Mounting Instruments in the Channels

Follow mounting instructions for the specific channel-mounted instrument or secondary mounting system. Using the  $5/32$ " hex key provided, fasten Cover Plate to top of Mount with four (4)  $1/4-20$  x  $1$ " FHSCS.

## Cable Routing

Route cables through holes in Channels and through center of Column and counter top. **Installation Note:** Diameter of hole through the inside of the Column is  $1.5$ " (clearance).

Mount instrument or secondary mounting system and attach Cover Plate.

