

## GCX Mounting Assembly Operation/Installation Manual Dräger Model Primus® with Siemens 6002XL/6802/7000/9000XL Patient Monitors



### Patient Monitor – Left Side on Pivot Arm / Power Supply on Right Side

The purpose of these instructions is to:

1. Describe attachment of GCX mounting hardware to the Primus anesthesia machine.
2. Describe attachment of the Siemens monitor to the GCX mounting hardware.



**WARNING:** USE OF MOUNTING HARDWARE AND MONITORING COMPONENTS OTHER THAN THOSE DESCRIBED IN THIS DOCUMENT MAY RESULT IN SERIOUS INJURY DUE TO TIPPING OF THE ANESTHESIA MACHINE.

**PRIMUS WALL AND CEILING MOUNTED VERSIONS:** ALL ADDITIONAL MOUNTED EQUIPMENT AND ACCESSORIES (FOR EXAMPLE, PATIENT MONITORING SYSTEMS, DATA MANAGEMENT SYSTEMS, INFUSION PUMPS, ETC) MUST BE REMOVED AS SOON AS THE UNITS ARE REMOVED FROM THE WALL OR CEILING PENDANT AND USED AS A FLOOR VERSION. DRÄGER MEDICAL WILL NOT ACCEPT ANY RESPONSIBILITY WITH REGARD TO THE RISK OF THESE UNITS TIPPING OVER IF THIS PRACTICE IS NOT FOLLOWED.

**Installer:** *When installation is completed, provide these instructions to the end user for future reference.*

### INSTALLATION

Tools Required: Philips head screw driver, Hex key (incl.)

#### Install Pivot Arm

- 1) To attach the Pivot Arm to the Primus left side accessory track, first run the M5 flat head screws (2) partly into the threaded T-Nuts (2).
- 2) Slide one T-Nut up into the bottom of the accessory track. Drop the exposed screw into the slots in the top of the Pivot Block Plate and Shim.



3) Position the Pivot Arm as desired and tighten the screw.



4) Slide the second T-Nut up into the bottom of the accessory track, and into the slot in the bottom of the Pivot Block Plate and Shim. Tighten the screw.



5) To adjust the height of the arm, loosen the two flat head screws, move the arm then re-secure the screws.

6) Install the Tilt Limiting Stop screw.

5/16-18 x 1/2" SHCS (1)



### Slide Pick & Go Base (IDS) into Mounting Plate

1) Align the mounting adapter located at the bottom of the Pick & Go base with the edge of Mounting Plate. Slide the Pick & Go base into the plate until it stops at the Spring Plunger (located below the Mounting Plate). Pull the Spring Plunger and continue to slide the base until the mounting adapter engages the Spring Plunger. Tighten the (4) nylon thumb screws on the back of the Mounting Plate.



### Install 4" Channel

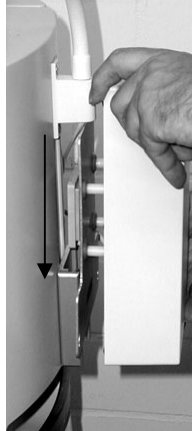
- 1) Install according to the instructions included with the Channel.

### Install Power Supply Mounting Adapter

- 1) Install according to the instructions included with the adapter.

### Slide Power Supply Mount into Channel

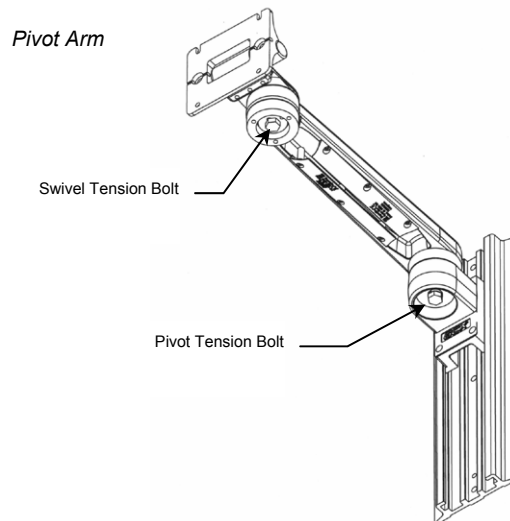
- 1) Align the Slide of the mount with edge of the Channel insert into channel.



## INSTRUCTIONS FOR USE – M Series Pivot Arm

### Pivot

1. To pivot the Arm (near the wall), simply push on the side of the Arm or mounted device.
2. To adjust the pivot tension at the Slide, use a 1/2" (or 13mm) socket driver to tighten or loosen the Pivot Tension Bolt to obtain the desired tension.

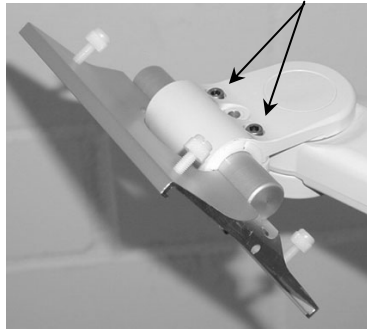


### Swivel

- 1) To rotate the device simply push or pull the corners of the device.
- 2) To adjust the swivel tension, use a 1/2" (or 13mm) socket driver to tighten or loosen the Swivel Tension Adjustment Bolt located under the front end of the Arm.

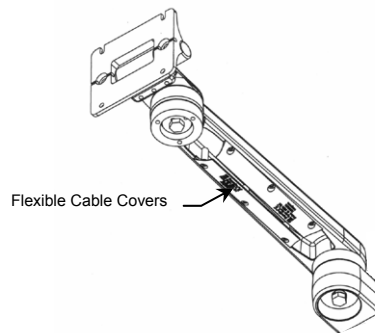
## Tilt

1. Grasp the top and bottom of the device and tilt it to the desired angle.
2. To adjust the overall tilt tension, evenly tighten or loosen the (2) #10-32 x 5/8" SHCS Tilt Tension Adjustment Screws using the supplied 5/32 (4 mm) hex key.



## Cable Management

1. An open cavity beneath the arm with flexible cable covers manage cables going to and from the front and rear of the arm.



## Cleaning

1. The mounting assembly may be cleaned with most mild, non-abrasive solutions commonly used in the hospital environment (e.g. diluted bleach, ammonia, or alcohol solutions).
2. The surface finish will be permanently damaged by strong chemicals and solvents such as acetone and trichloroethylene.
3. Steel wool or other abrasive material should never be used.
4. Damage caused by the use of unapproved substances or processes will not be warranted. To verify compatibility, it is recommended that any cleaning solution be tested on a small area of the arm that is not visible.
5. Never submerge the mounting arm. Wipe any cleaning agents off of the arm immediately, using a water-dampened cloth. Dry the arm thoroughly after cleaning.

**CAUTION:** GCX makes no claims regarding the efficacy of the listed chemicals or processes as a means for controlling infection. Consult your hospital's infection control officer or epidemiologist. To clean or sterilize mounted devices or accessory equipment, refer to the specific instructions supplied with those products.

## PARTS LIST

GCX P/N	Dräger P/N	DESCRIPTION
DR-0015-20C, or DR-0015-25C	MM15272 MM15273	12" M Series Pivot Arm (recommended) 16" M Series Pivot Arm
SI-0032-12	MM15753	Siemens Power Supply Flush Mount
DR-0016-82	MM15707	4" Channel /w T-Nuts