

GCX Mounting Assembly Operation/Installation Manual Dräger Model Julian® with GE-Marquette Eagle® 4000 Patient Monitor



The purpose of these instructions is to:

1. Describe attachment of GCX mounting hardware to the Julian anesthesia machine.
2. Describe attachment of the Eagle 4000 monitor to the GCX mounting hardware.



WARNING: USE OF MOUNTING HARDWARE AND MONITORING COMPONENTS OTHER THAN THOSE DESCRIBED IN THIS DOCUMENT MAY RESULT IN SERIOUS INJURY DUE TO TIPPING OF THE ANESTHESIA MACHINE. ALL JULIAN MOUNTING CONFIGURATIONS REQUIRE THE 30 Kg COUNTERWEIGHT OR THE "BIGFOOT" UPGRADE SET AVAILABLE FROM DRÄGER.

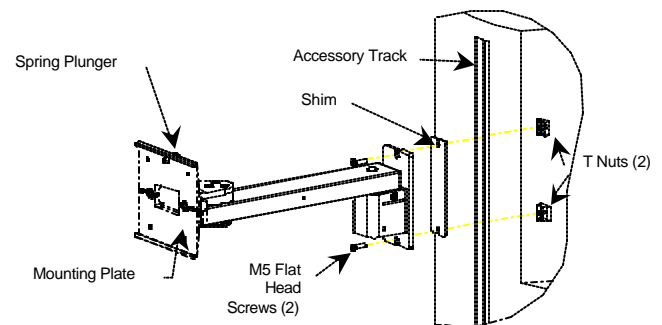
INSTALLATION

Tools Required: Philips head screw driver, Hex key (incl.).

Mounting the Pivot Arm to Julian

Parts Required: pivot arm, shim, T-nuts.

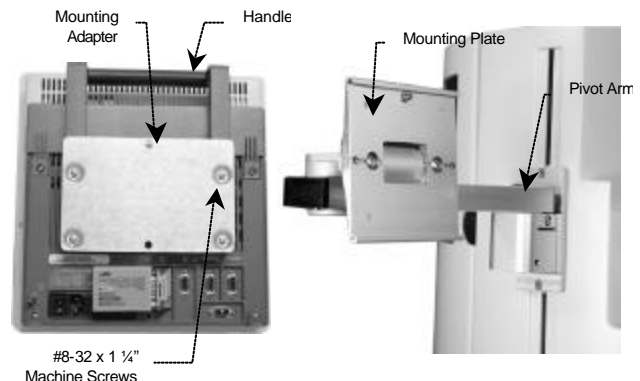
1. To attach the Pivot Arm to the Julian left side accessory track, first run the M5 flat head screws (2) partly into the threaded T-Nuts (2).
2. Slide one T-Nut up into the bottom of the accessory track.
3. Drop the exposed screw into the slots in the top of the Pivot Block Plate and Shim. Tighten the screw. Slide the second T-Nut up into the bottom of the accessory track, and into the slot in the bottom of the Pivot Block Plate and Shim. Tighten the screw.
4. Adjust the height of the Pivot Arm to match the spacing shown in the diagram. To do this, loosen the (2) screws.



Mounting the Adapter to Eagle 4000

Parts Required: adapter, 4 #8-32x1 1/4" screws, 4 .125" washers.

1. Position the handle at the back of the monitor.
2. Attach the Mounting Adapter/Handle to the rear of the Eagle 4000 using the #8-32 x 1 1/4" machine screws and .125" spacers (between plate and handle).
3. Slide the Eagle 4000 horizontally into the Mounting Plate until the spring plunger locates in the clearance hole in the Mounting Adapter. Tighten the (2) nylon thumb screws at the rear of the Mounting Plate.



INSTRUCTIONS FOR USE

Pivot

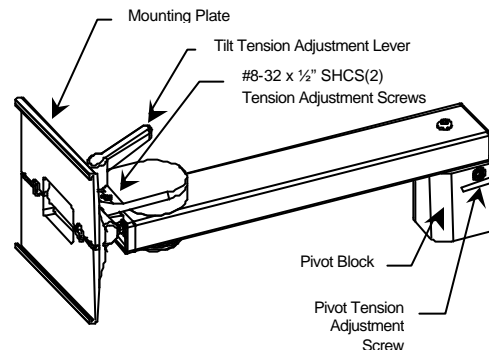
1. To pivot or move the Flat Panel Display, simply push on the side of the Arm or the Display.
2. To adjust the tension of the pivot action, tighten or loosen the pivot adjustment screw (at the top of pivot block, above the slot, just below the arm) with the hex key provided.

Swivel

1. To rotate the Flat Panel Display, simply push or pull the corners of the display.

Tilt

1. Adjust the overall tilting tension by evenly tightening or loosening the (2) #8-32 X 1/2" SHCS - (Tension Adjustment Screws) with the hex key provided. Use the Adjustment Lever to fine tune and lock the tilt position.
2. Turn Adjustment Lever counter clockwise to loosen. Grasp the top and/or bottom of the monitor/display and tilt to the desired angle.
3. Turn Adjustment Lever clockwise to tighten and lock position.



Cleaning

1. The mounting assembly may be cleaned with most mild, non-abrasive solutions commonly used in the hospital environment (e.g. diluted bleach, ammonia, or alcohol solutions).
2. The surface finish will be permanently damaged by strong chemicals and solvents such as acetone and trichloroethylene.
3. Steel wool or other abrasive material should never be used.
4. Damage caused by the use of unapproved substances or processes will not be warranted. To verify compatibility, it is recommended that any cleaning solution be tested on a small area of the arm that is not visible.
5. Never submerge the mounting arm. Wipe any cleaning agents off of the arm immediately, using a water-dampened cloth. Dry the arm thoroughly after cleaning.

CAUTION: GCX makes no claims regarding the efficacy of the listed chemicals or processes as a means for controlling infection. Consult your hospital's infection control officer or epidemiologist. To clean or sterilize mounted devices or accessory equipment, refer to the specific instructions delivered with those products.

PARTS LIST

GCX P/N	Dräger P/N	GE-MMS P/N	DESCRIPTION
DR-0015-25	MM15721	2001346-001	12" Pivot Arm & Julian Fittings
ME-0003-86	MM15726	410559-001	Eagle 4000 Mounting Adapter/Handle