

GCX Mounting Assembly Operation/Installation Manual

Dräger Julian[®] with GE-Marquette DASH[®] 2000/3000 Patient Monitor



The purpose of these instructions is to:

1. Describe attachment of GCX mounting hardware to the Julian anaesthesia machine.
2. Describe attachment of the DASH 2000/3000 monitor to the GCX mounting hardware.



WARNING: USE OF MOUNTING HARDWARE AND MONITORING COMPONENTS OTHER THAN THOSE DESCRIBED IN THIS DOCUMENT MAY RESULT IN SERIOUS INJURY DUE TO TIPPING OF THE ANAESTHESIA MACHINE.

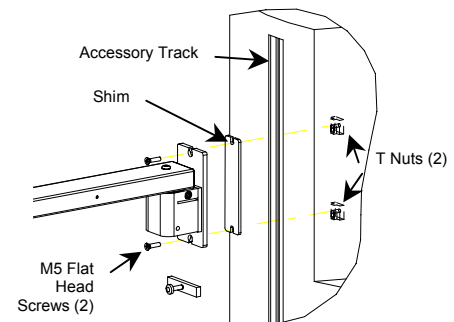
INSTALLATION

Tools Required: Philips head screw driver, Hex key (incl.).

Mounting the Pivot Arm to Julian

Parts Required: pivot arm, shim, T-nuts.

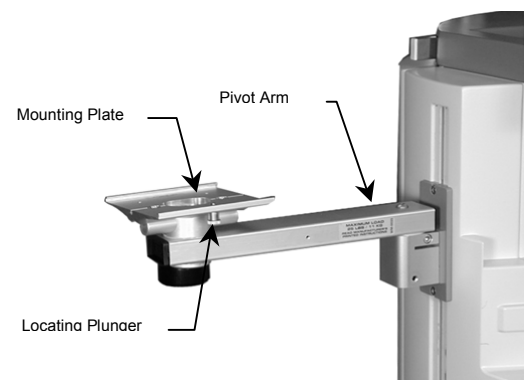
1. To attach the Pivot Arm to the Julian left side accessory track, first run the M5 flat head screws (2) partly into the threaded T-Nuts (2).
2. Slide one T-Nut up into the bottom of the accessory track.
3. Drop the exposed screw into the slots in the top of the Pivot Block Plate and Shim. Tighten the screw. Slide the second T-Nut up into the bottom of the accessory track, and into the slot in the bottom of the Pivot Block Plate and Shim. Tighten the screw.
4. Adjust the height of the Pivot Arm to match the spacing shown in the diagram. To do this, loosen the (2) screws.



Mounting the DASH 2000/3000

The Mounting Adapter is preinstalled on the DASH 2000/3000 patient monitor.

1. Align the Mounting Adapter with the Mounting Plate.
2. Slide DASH 2000/3000 onto Mounting Plate. Pull down the Locating Plunger to permit the Adapter Plate to slide all the way onto the Mounting Plate. Slide the monitor until the Locating Plunger engages the Adapter Plate, thus securing the monitor in position. Tighten the nylon thumb screws under the Mounting Plate.



INSTRUCTIONS FOR USE

Pivot

1. To pivot or move, simply push on the side of the Arm or the monitor.
2. To adjust the tension of the pivot action, tighten or loosen the pivot adjustment screw (at the top of pivot block, above the slot, just below the arm) with the hex key provided.

Swivel

1. To rotate, simply push or pull the corners of the monitor.

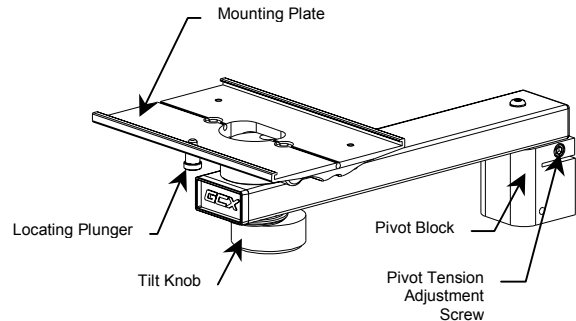
Tilt

1. Rotate Tilt Knob clockwise or counterclockwise to adjust tilt angle.

Cleaning

1. The mounting assembly may be cleaned with most mild, non-abrasive solutions commonly used in the hospital environment (e.g. diluted bleach, ammonia, or alcohol solutions).
2. The surface finish will be permanently damaged by strong chemicals and solvents such as acetone and trichloroethylene.
3. Steel wool or other abrasive material should never be used.
4. Damage caused by the use of unapproved substances or processes will not be warranted. To verify compatibility, it is recommended that any cleaning solution be tested on a small area of the arm that is not visible.
5. Never submerge the mounting arm. Wipe any cleaning agents off of the arm immediately, using a water-dampened cloth. Dry the arm thoroughly after cleaning.

CAUTION: GCX makes no claims regarding the efficacy of the listed chemicals or processes as a means for controlling infection. Consult your hospital's infection control officer or epidemiologist. To clean or sterilize mounted devices or accessory equipment, refer to the specific instructions delivered with those products.



PARTS LIST

GCX P/N	Dräger P/N	GE-MMS P/N	DESCRIPTION
DR-0015-20	MM15689		12" Pivot Arm & Julian Fittings